



## Product Features

- Mainstream integrated structure design, saving transportation costs.
- Bridgelux chips 5050 (Lifetime 100000hours).
- Imported high-efficiency monocrystalline silicon.
- Whole lamp can be 30° adjustable.
- Built-in large capacity LifePO4 battery.
- Beam angle is 80°\*155°, wide lighting area.
- Easy to install and disassembly, convenient for maintenance.
- With 4 lighting modes, flexible to switch via remote control.
- Remote control distance up to 15 meters.



A Series

## Multi-mode Conversion

Remote control conversion mode  
One lamp, multiple modes, change as you want.

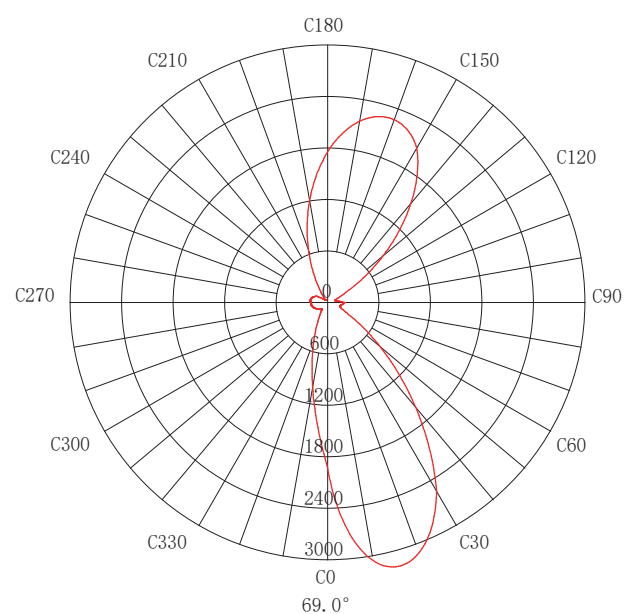
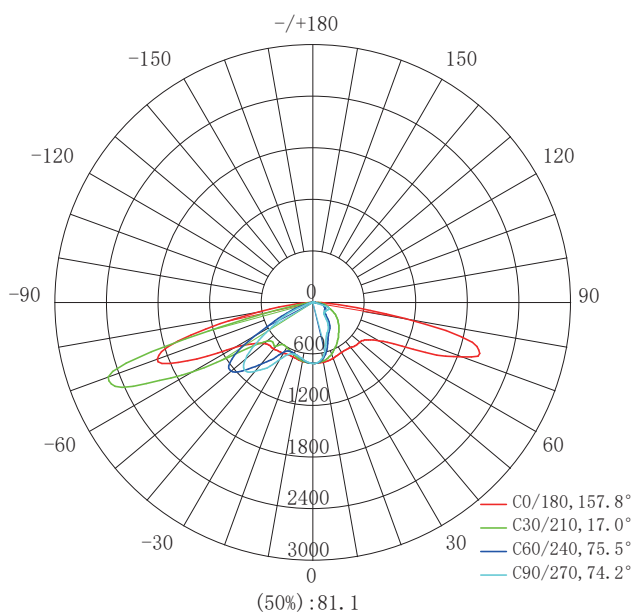
Remote control  
Infrared induction



## Specifications

<b>Model</b>	YXR-SSL-40A	YXR-SSL-60A	YXR-SSL-80A
<b>Mono solar panel</b>	18V 37W	18V 44W	18V 57W
<b>Battery capacity</b>	12.8V 12AH	12.8V 18AH	12.8V 24AH
<b>CCT</b>	2700K-6500K		
<b>Brightness</b>	180LM/W		
<b>Charging Time</b>	6~8 hours by bright sunlight		
<b>Working Time</b>	12-15 hours (5-7 rainy days)		
<b>Control Mode</b>	Time control + Microwave induction or Infrared induction		
<b>IP Rating</b>	IP66		
<b>Mounting Height</b>	4-6m	5-7m	6-8m
<b>Installing space between 2 lamps</b>	10-20m	15-25m	20-30m
<b>Mounting hole</b>	φ78mm		
<b>Warranty</b>	3 Years		
<b>Product Size(mm)</b>	697*361*209	846*361*209	1096*361*209
<b>Net Weight(kg)</b>	7.7	9.5	11.7

## Light Distribution Curves:





# Product Features



## Sensing distance 10 meters

### Time control

2H 100%+ 2H 60%+ 3H 30% + 5H 20%

### Induction control

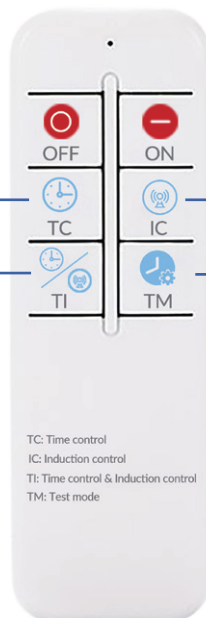
2H someone approaching 100% no one approaching 50% + 2H someone approaching 60% no one approaching 30% + 3H someone approaching 30% no one approaching 10% + 5H someone approaching 20% no one approaching 5%

### Time control & Induction control

2H someone approaching 100% + 2H someone approaching 60% no one approaching 20% + 3H someone approaching 30% no one approaching 10% + 5H someone approaching 20% no one approaching 5%

### Test mode

When this button is pressed, the lamp will turn on at the maximum power for 2 minutes and then enter the normal state.



TC: Time control  
IC: Induction control  
TI: Time control & Induction control  
TM: Test mode

## Product Details



### ▶ Rod adapter

Installation hole 78mm.



### ▶ Smart sensor

Multifunctional microwave induction.



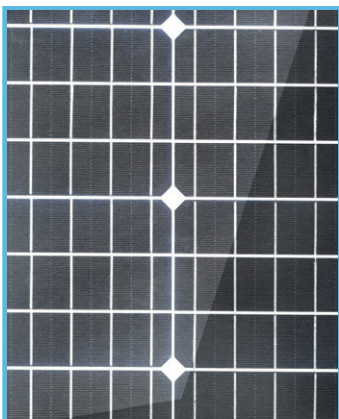
### ▶ Smart Remote

There are multi-working modes, you can change its working mode as you need.



### ▶ Induction range

130° Induction angle,  
10m Induction distance.



### ▶ Solar panel

High-efficiency solar panel, >21% photoelectric conversion rate, special surface treatment.



### ▶ Bridgelux chips 5050

High brightness, lifetime 100000 hours.



### ▶ The whole lamp IP66 Ingress protection

Lamp with silicone waterproof sealing strip, UV-resistant material, reliable without failure.



### ▶ Thickened aluminum die-casting shell

The shell is made of ADC12 aluminum die-casting, which has high temperature resistance, anti-corrosion, effectively guarantees the service life of the lamps.



## Microwave induction or Infrared induction

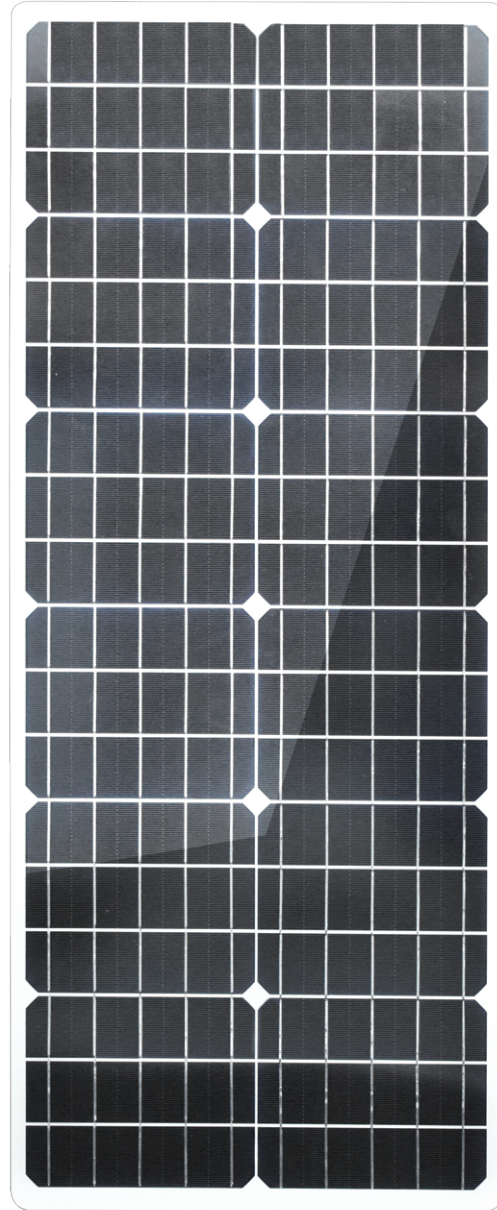
Microwave induction: When the sensor detects the movement of the human or object, the light will turn on.

Infrared induction: When the sensor detects infrared heat energy caused by the movement of the human body and triggers the light.

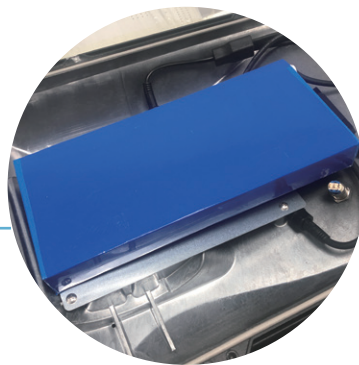
The sensing distance is about 10 meters.



## High Efficiency Monocrystalline Silicon Solar Panel



Large capacity battery



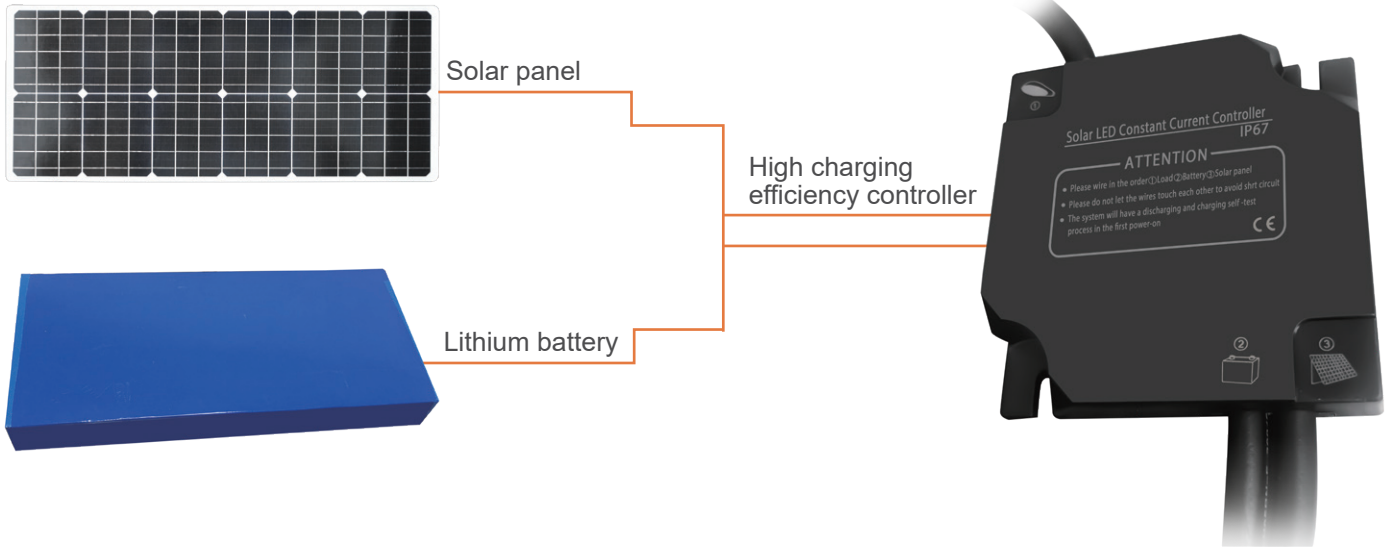
- Monocrystalline silicon solar panel
- >21% Photoelectric conversion efficiency
- 25 years lifespan



## High charging efficiency controller

Can automatically adjust the output power according to weather changing.

Qualification rate 99.5%



## Lithium battery

Can work at temperatures from -20°C to +55°C



Ternary lithium battery

**800** cycles



Lithium iron phosphate(LiFePO<sub>4</sub>) battery

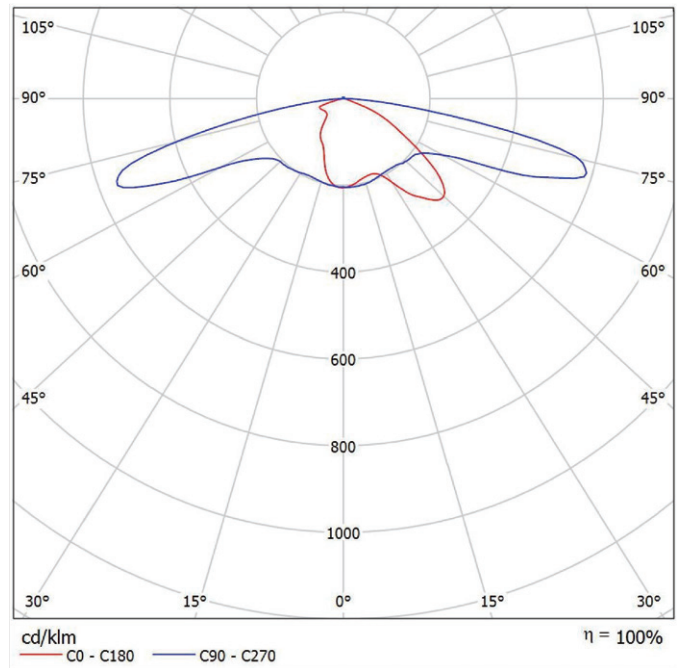
**>2000** cycles



# Spectra

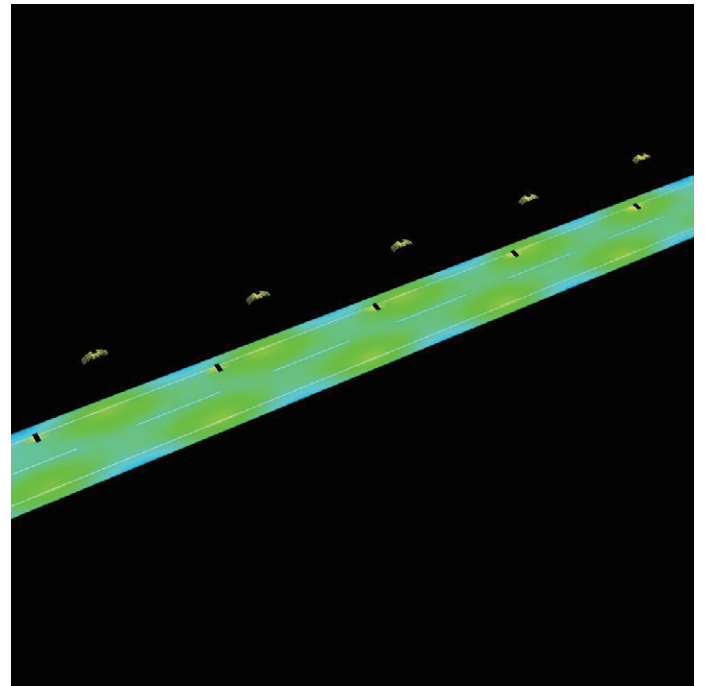
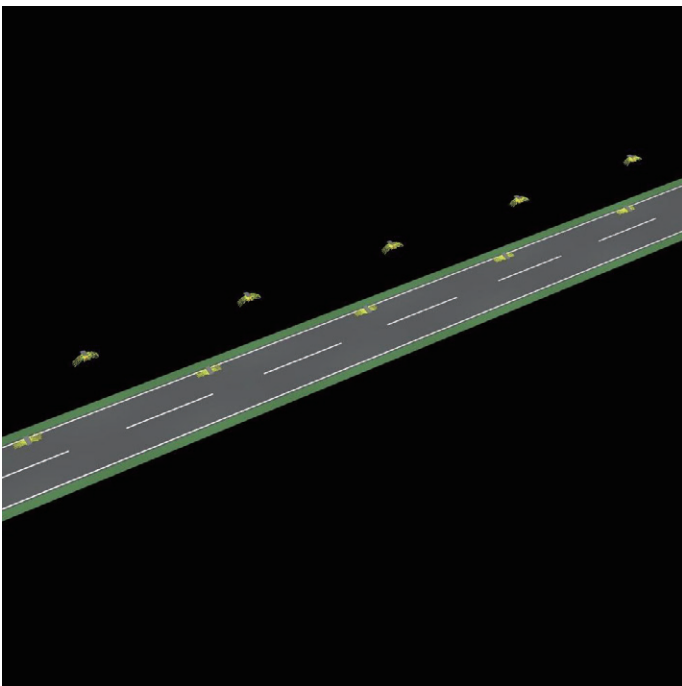


Luminaires are classified according to CIE: 99CIE Flux Code: 28 58 92 99 100



The UGR glare table for this fixture cannot be displayed due to missing symmetry properties.

# Road lighting simulation



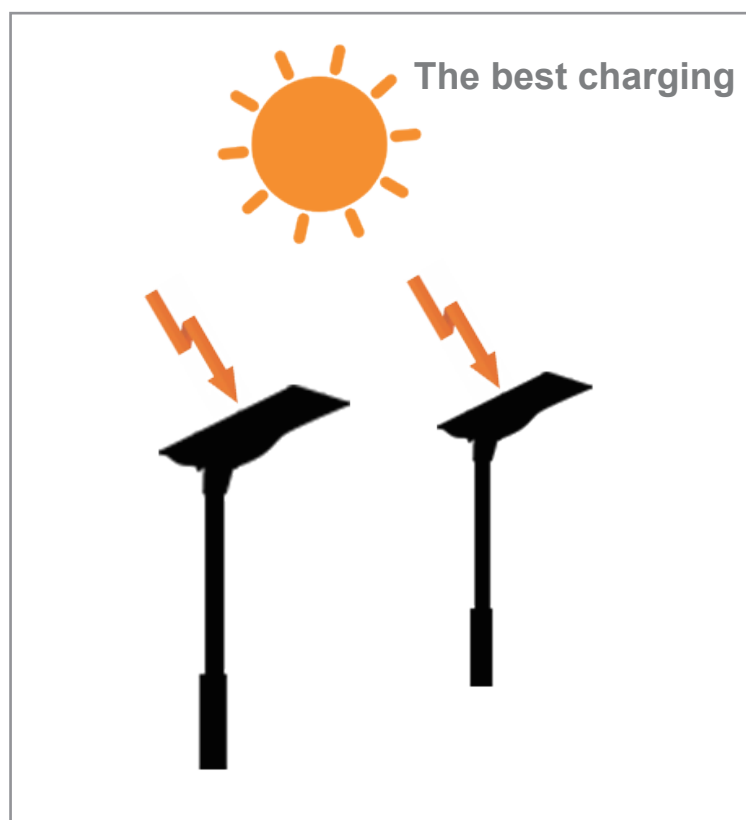
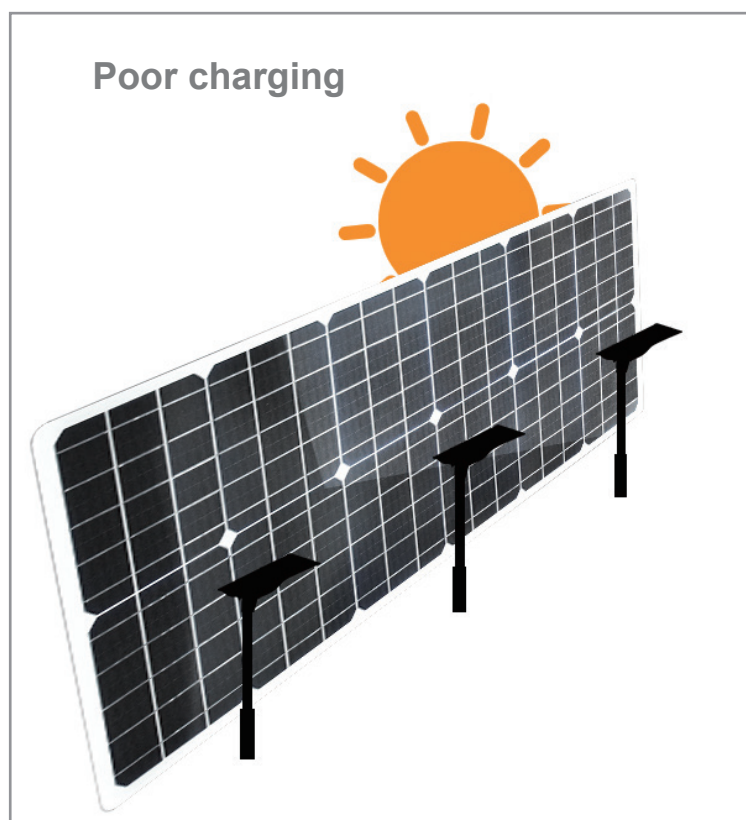
0 5 10 15 20 25 30 35 40 lx

# Installation Instructions

## Kind tips 1



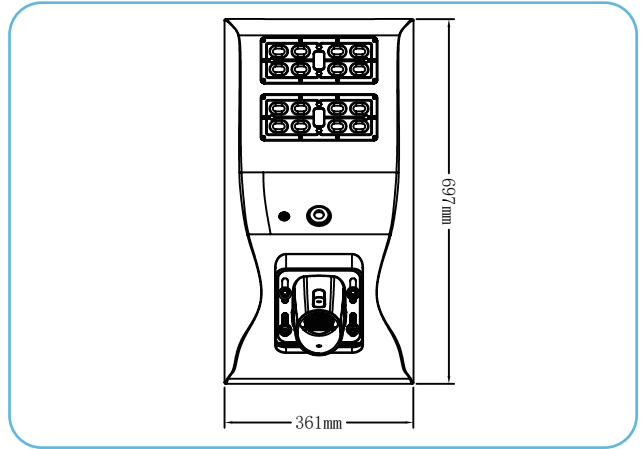
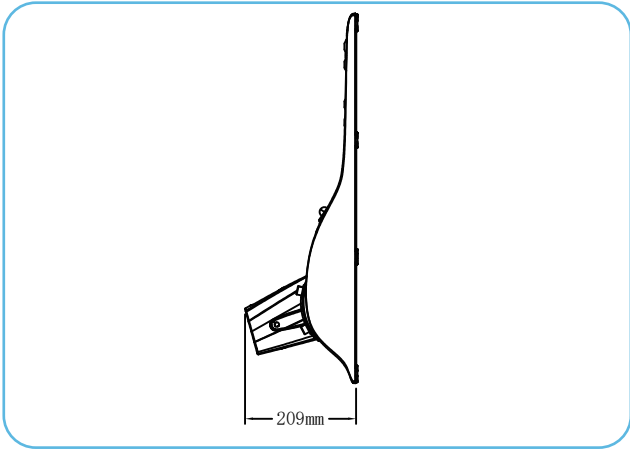
## Kind tips 2



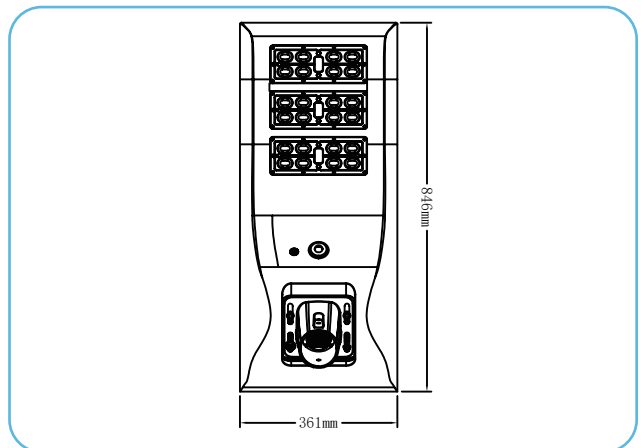
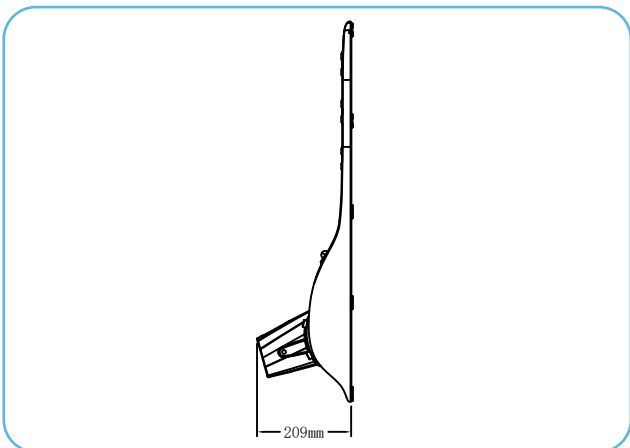
- When installing the integrated solar led street light, please choose a position with enough sunshine and fully exposure.
- Please note the solar panel must be fully exposed, without any shelter.

# Product Sizes

## YXR-SSL-40A



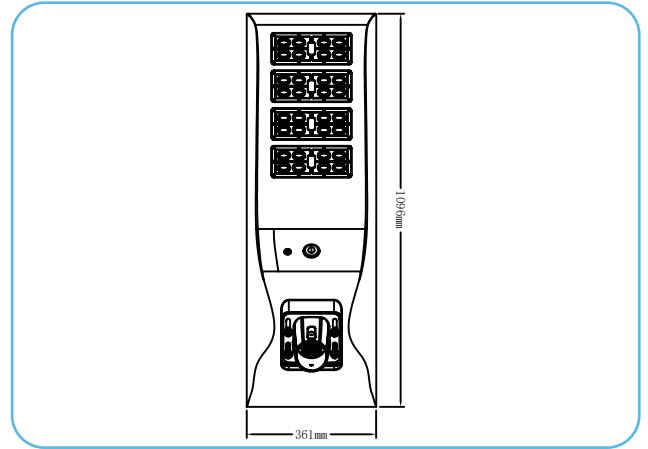
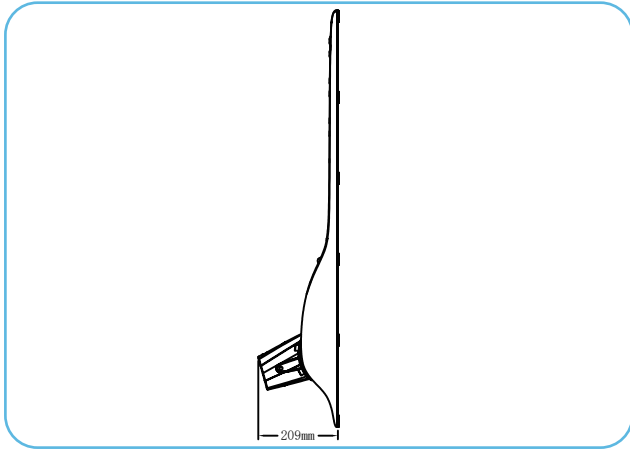
## YXR-SSL-60A



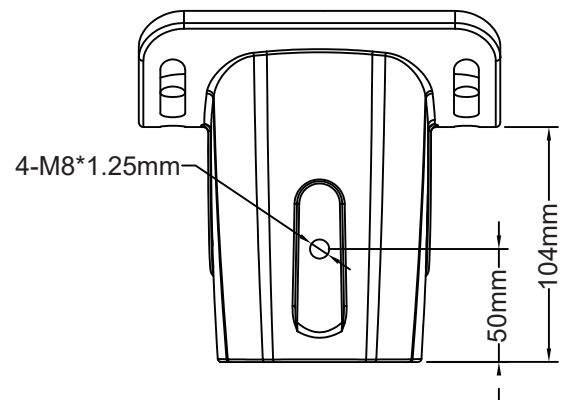
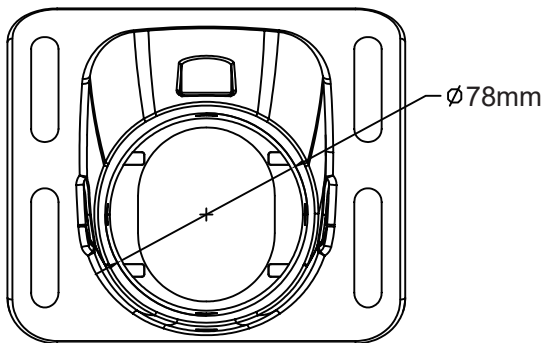


## Product Sizes

### YXR-SSL-80A



## Mounting hole



## Packing

Model	G.W.	Q'ty/Ctn(pcs)	Carton(cm) (Lamp)	Carton(cm) (Base)
YXR-SSL-40A	8.7kg		76*43*15	46*35*18
YXR-SSL-60A	11kg	1lamp/Ctn 6base/Ctn	91*43*15	
YXR-SSL-80A	13.7kg		116*43*15	

# Project Cases

