



FIVE STAR
福思达

LED FLOOD LIGHT

ULTRA-THIN FLOODLIGHT, EXCLUSIVE DESIGN BY PRIVATE MODEL

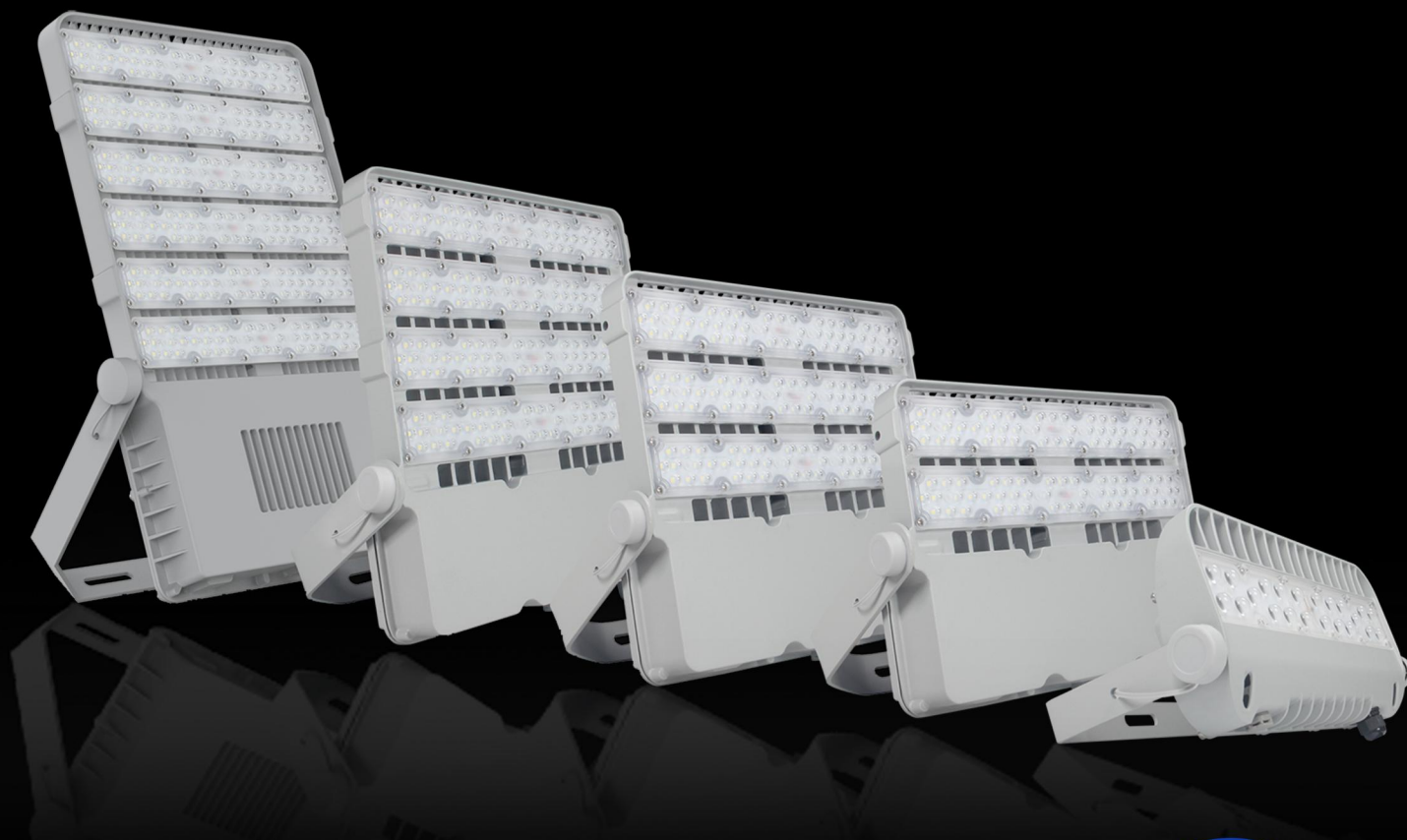


ZHENGZHOU FIVE STAR LIGHTING CO., LTD.



FIVE STAR
福思达

OVERVIEW



IP66



FEATURES

ULTRA-THIN FLOODLIGHT, EXCLUSIVE DESIGN BY PRIVATE MODEL

- PATENT PRIVATE MOULD, INTEGRATED DIE-CASTING AL.
- MODULAR COMBINATION AVAILABLE.
- GLARE FREE LENS, LENS FOR 48PCS LED: 30° / 60° / 90° / 80*140° , LENS FOR 22PCS LED: 60° / 90° / 80*150° / 60*120° .
- HIGH EFFICIENCY, 120LM/W-150LM/W AVAILABLE
- ABLE TO MATCH MEANWELL AND OTHER MAINSTREAM DRIVERS IN THE MARKET.
- 0/1-10V DIMMING, TIME CONTROL, DAYLIGHT SENSOR AVAILABLE.
- IP 66
- COLOR: MATTE BLACK, SILVER GREY, OTHER COLORS CUSTOMIZABLE.



FIVE STAR
福思达

APPLICATION



Billboard / Road / Tunnel / Bridge and culvert / Square / Building

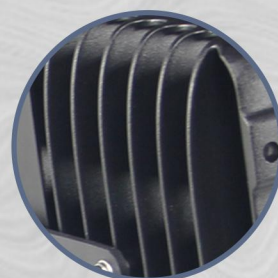


FIVE STAR
福思达

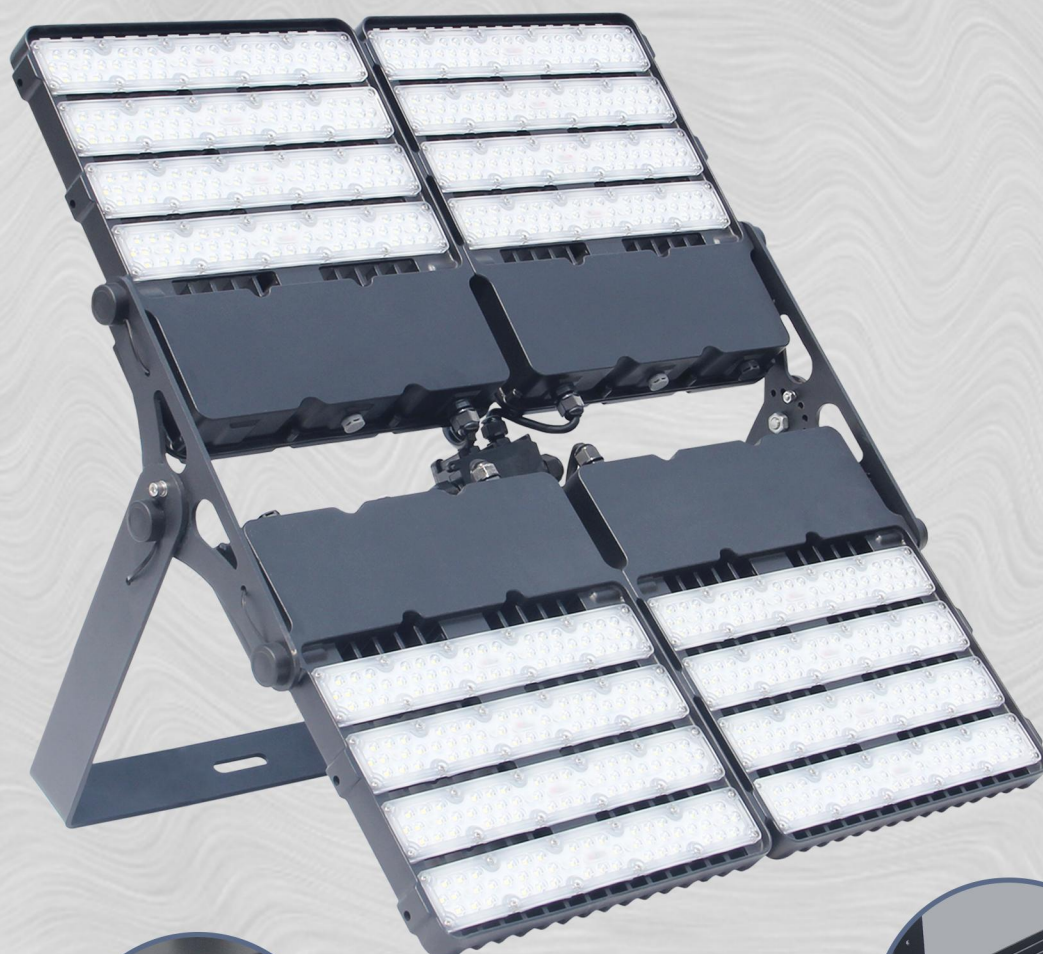
EDGE DETAILS



Lens Angle 30° /60° /90° /80*140°



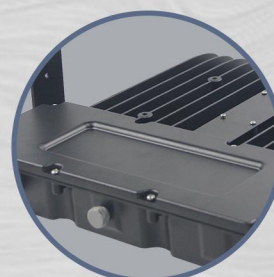
Honeycomb
Heat Dissipation Design



Screw Splicing



Screw Splicing
Interface

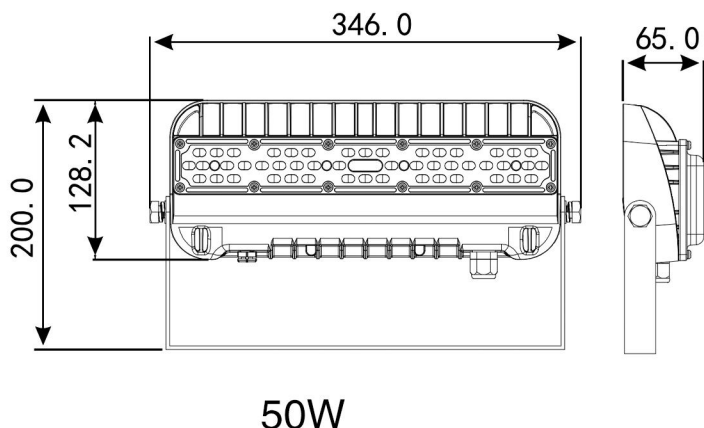


The Groove Of The Power
Cover Fits The Power Supply

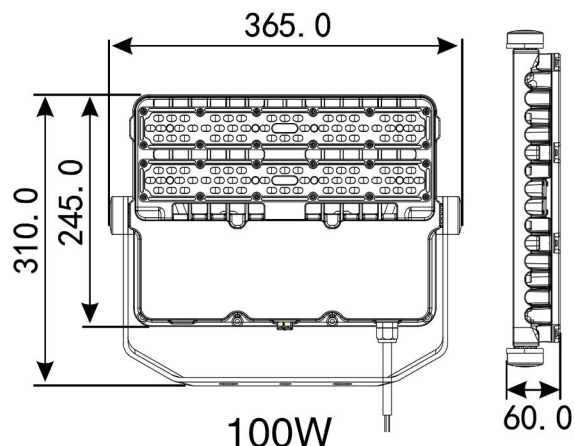


FIVE STAR
福思达

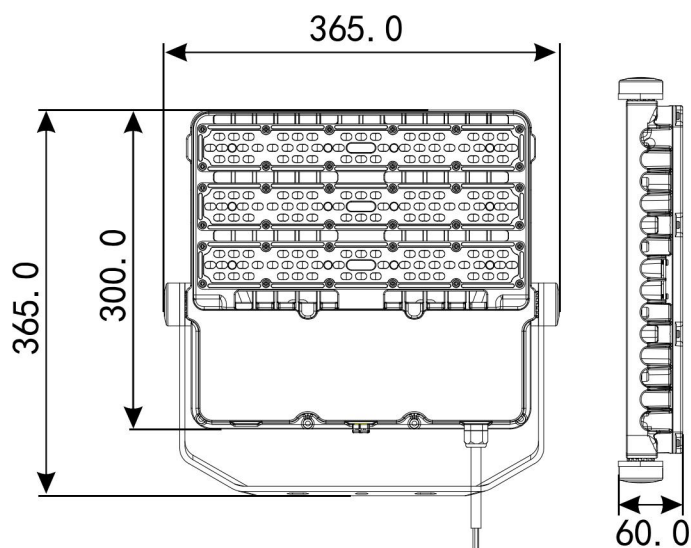
DIAGRAMS



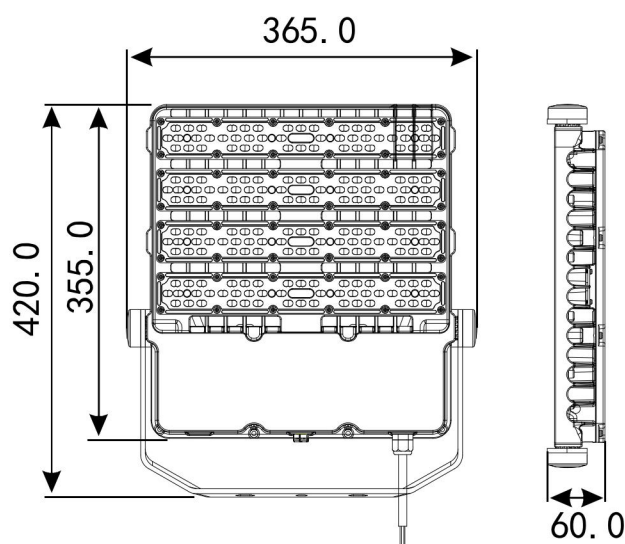
50W



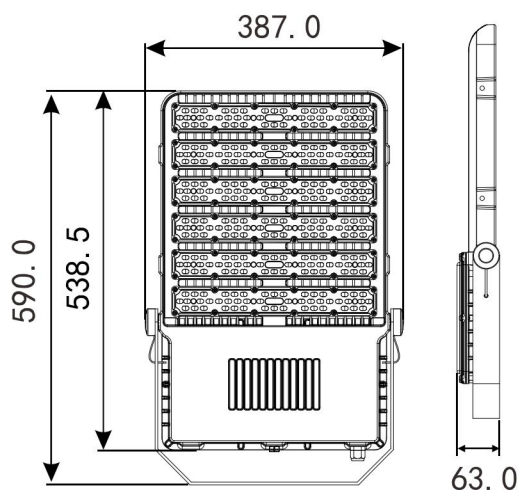
100W



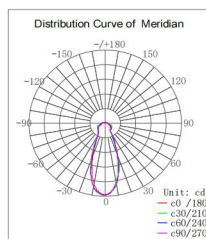
150W



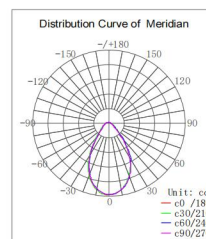
200W-240W



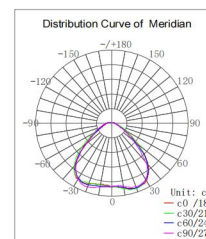
300W-400W



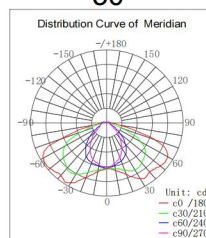
30°



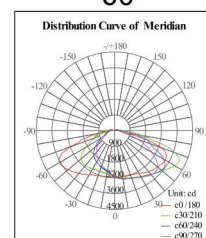
60°



90°



80*140°



80*150°



FIVE STAR
福思达

MAIN PARAMETERS



50W

100W

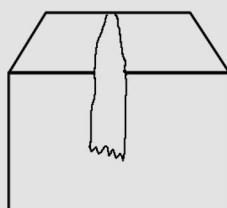
150W

200W-240W

300W

Power	50W	100W	150W	200W	300W
Voltage	AC 100-277V				
Efficiency	120lm/w-150lm/w				
Chip	3030/3535/5050				
LED Qty	48/66/88pcs 22/48pcs	96/132/176pcs 44/96pcs	144/198/264pcs 66/144pcs	192/264/352pcs 88/192pcs	288/396/528pcs 132/288pcs
Dimension	346*200*65mm	365*310*60mm	365*365*60mm	365*420*60mm	590*387*63mm
Beam Angle	12° /30° /60° /90° /80*140° /80*150°				
CCT	2700-6500K				
Certificate	CE,CB,SAA				
IP Rank	IP66				
Warranty	Five Year				

PACKAGING AND SHIPPING





FIVE STAR
福思达

PRECAUTIONS



1. PLEASE READ THE OPERATION MANUAL CAREFULLY BEFORE USE, SO AS TO INSTALL AND CONNECT THE POWER SUPPLY CORRECTLY
2. PLEASE CHECK CAREFULLY BEFORE USE. IF ANY ABNORMAL PHENOMENON IS FOUND DURING USE, PLEASE CONTACT OUR COMPANY
3. WHEN USING, THE SURFACE OF THE LAMP HAS A CERTAIN TEMPERATURE RISE, WHICH IS A NORMAL PHENOMENON.
4. PLEASE DO NOT DISASSEMBLE THE LAMP WITHOUT PERMISSION, OR IT WILL BE DEEMED TO HAVE WAIVED THE WARRANTY SERVICE.
5. FOR PRODUCTS WITH SPECIAL FUNCTION, THE CORRESPONDING SECTIONS IN THIS MANUAL IS FOR REFERENCE ONLY.

WARRANTY TERMS

1. UNDER THE WARRANTY TERMS, IF THE PRODUCTS BREAK DOWN UNDER NORMAL USAGE WITHIN WARRANTY PERIOD, GLITTER WILL PROVIDE FREE MAINTENANCE SERVICE BASED ON THE PROOF-DOCUMENTS AND INVOICE (COPY) OF FAILURE PRODUCT.
2. GLITTER WILL NOT PROVIDE PAID MAINTENANCE SERVICE UNDER FOLLOWING CONDITIONS EVEN WITHIN WARRANTY
A. FAILURE OR DAMAGE DUE TO FORCE MAJEURE.
B. FAILURE OR DAMAGE DUE TO TRANSPORT OR UNLOADING.
C. FAILURE OR DAMAGE DUE TO INCORRECTLY USAGE OR FAIL TO COMPLY WITH THE USER'S GUIDE AND CAUTION.
B. FAILURE OR DAMAGE CAUSED BY DISASSEMBLY AND MODIFICATION WITHOUT THE AUTHORIZATION OF THE MANUFACTURER.
3. PLEASE DELIVER THE FAILURE PRODUCT BY ORIGINAL PACKING FOR MAINTENANCE SERVICE, FOR ANY FAILURE OR DAMAGE BY TRANSPORTATION IF CUSTOMER USE NON-ORIGINAL PACKING OR IMPROPER PACKING.

5-YEAR WARRANTY ON FLOODLIGHTS FROM DATE OF PURCHASE



ZHENGZHOU FIVE STAR LIGHTING CO., LTD.