

# High Efficiency LED Street Light

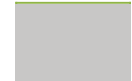
25-240W

Patent private mould, integrated die-casting AL.

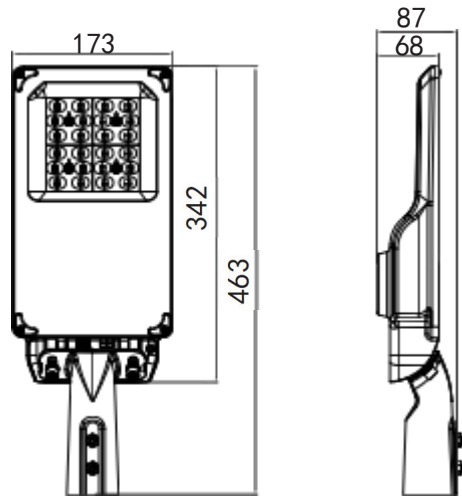
- High efficiency, 130-170lm/w available.
- Professional glare-free lens, 60°/90°/120°/T2M/T3M/T4M.
- 0-10V dimming/time control/light sensor/IOT control available.
- Flat honeycomb design, good heat dissipation.
- Angle of mounting shaft can be installed and adjusted 90/180° .
- Gradienter design: easy for horizontal installation.
- IP66
- 



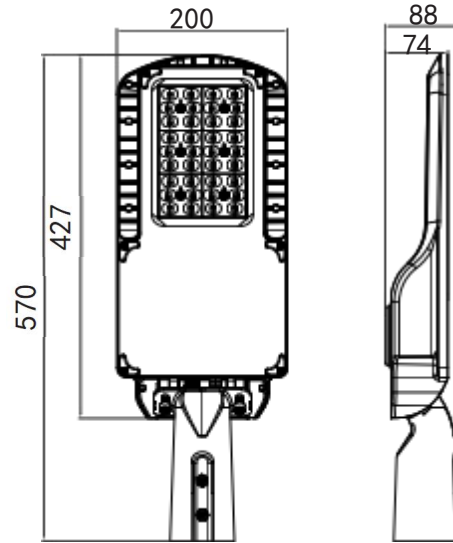
Colour



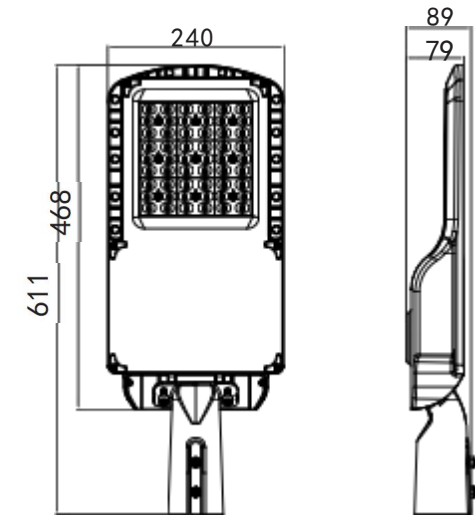
# Dimension



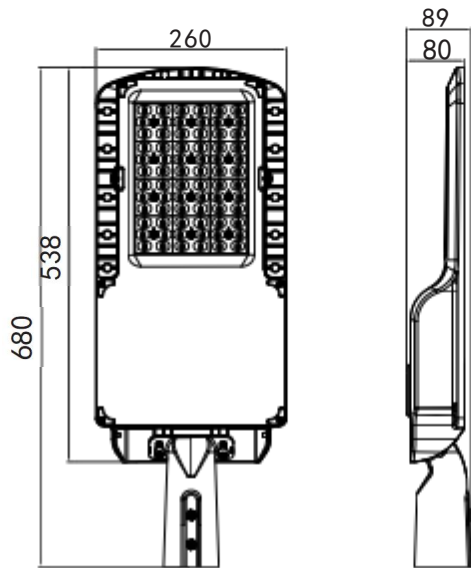
25-50w



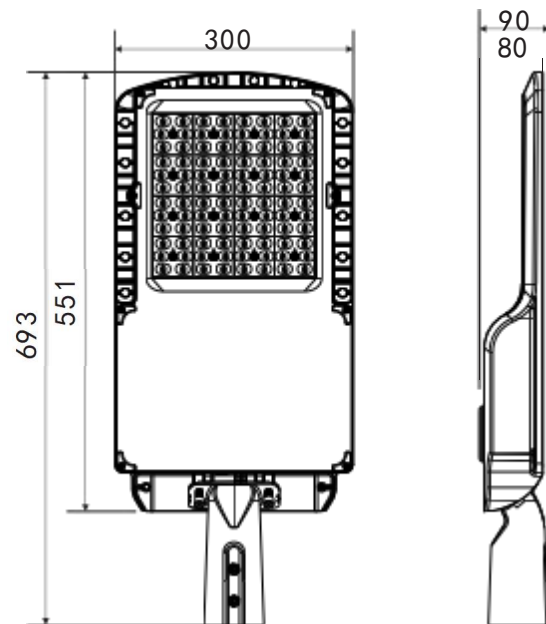
50-75w



80-120w



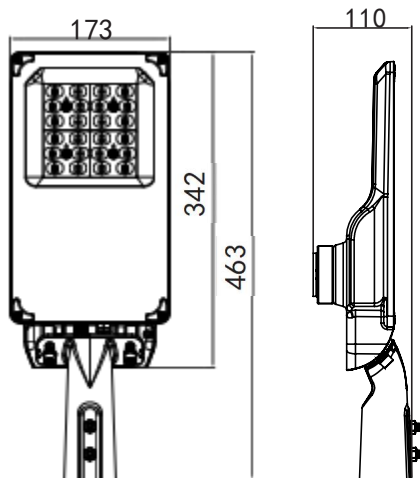
150-180w



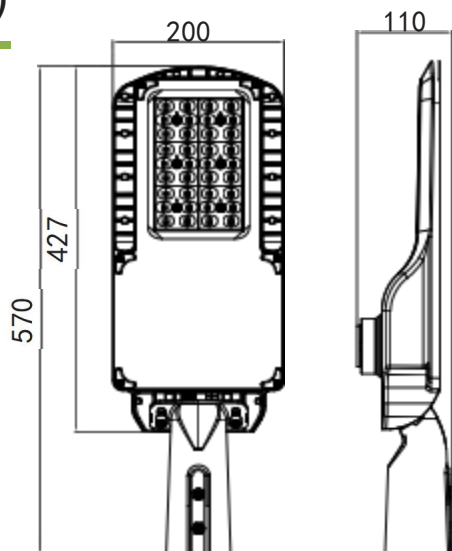
200-240w

Unit:mm

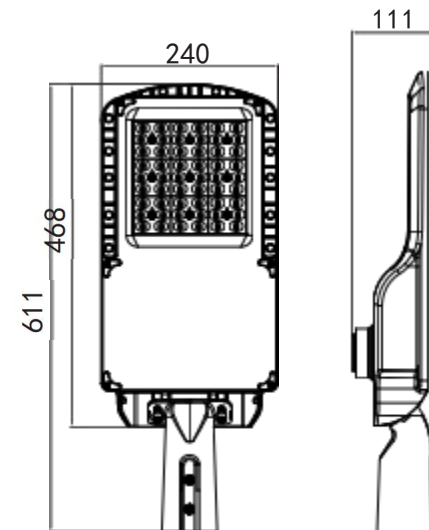
# Dimension (Intelligent control)



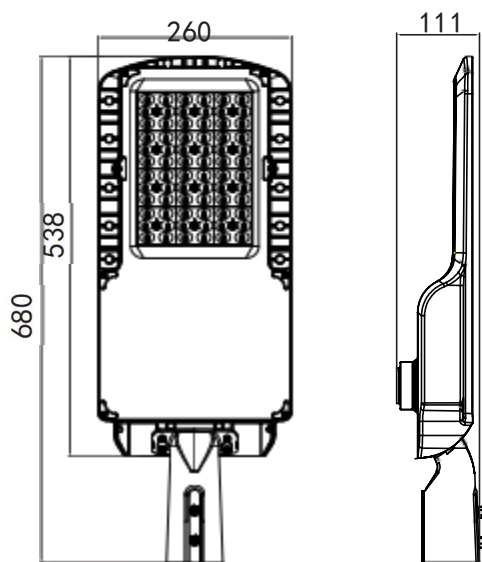
25-50w



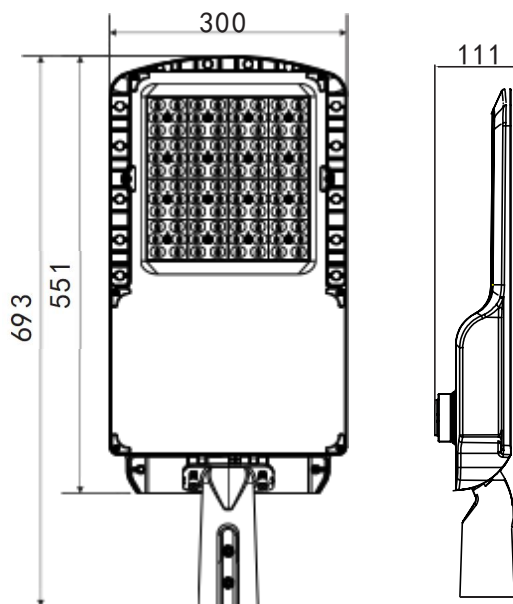
50-75w



80-120w



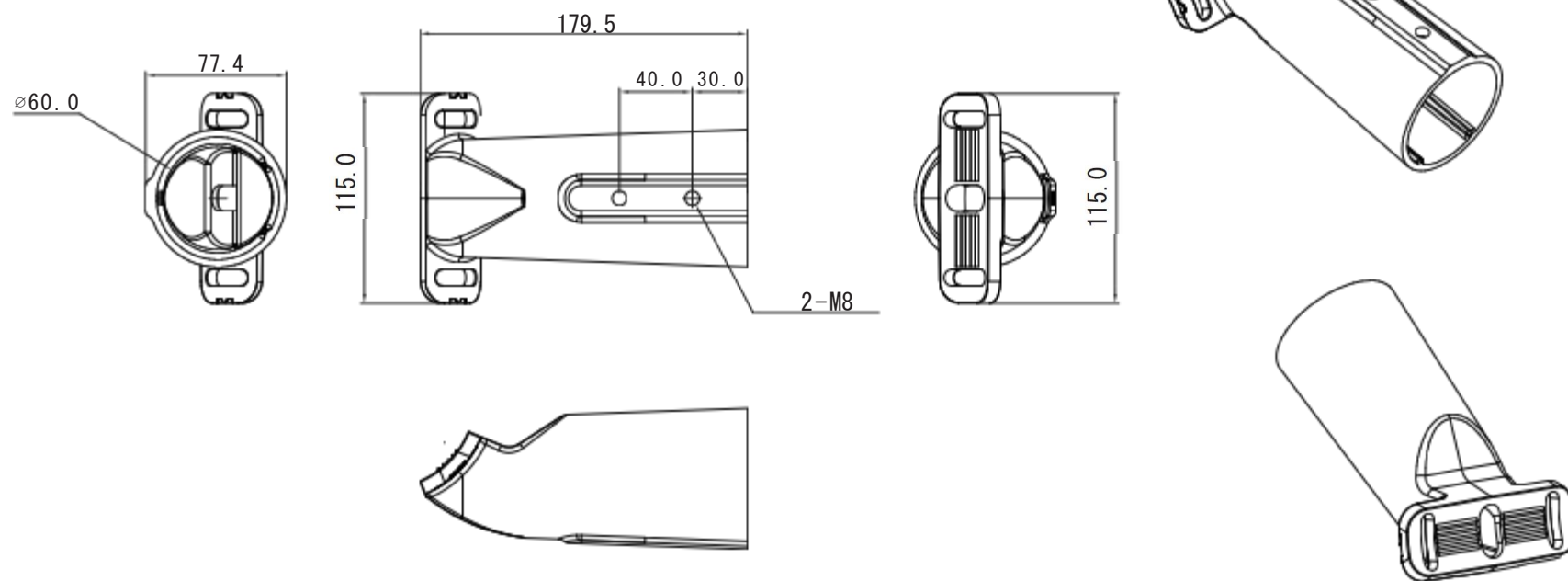
150-180w



200-240w

Unit:mm

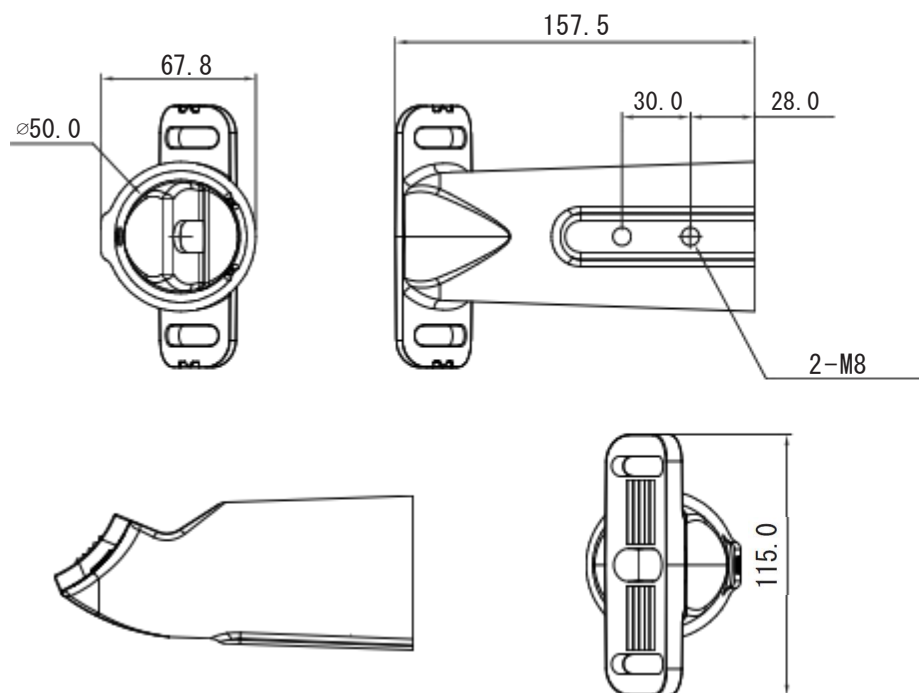
# Install the shaft



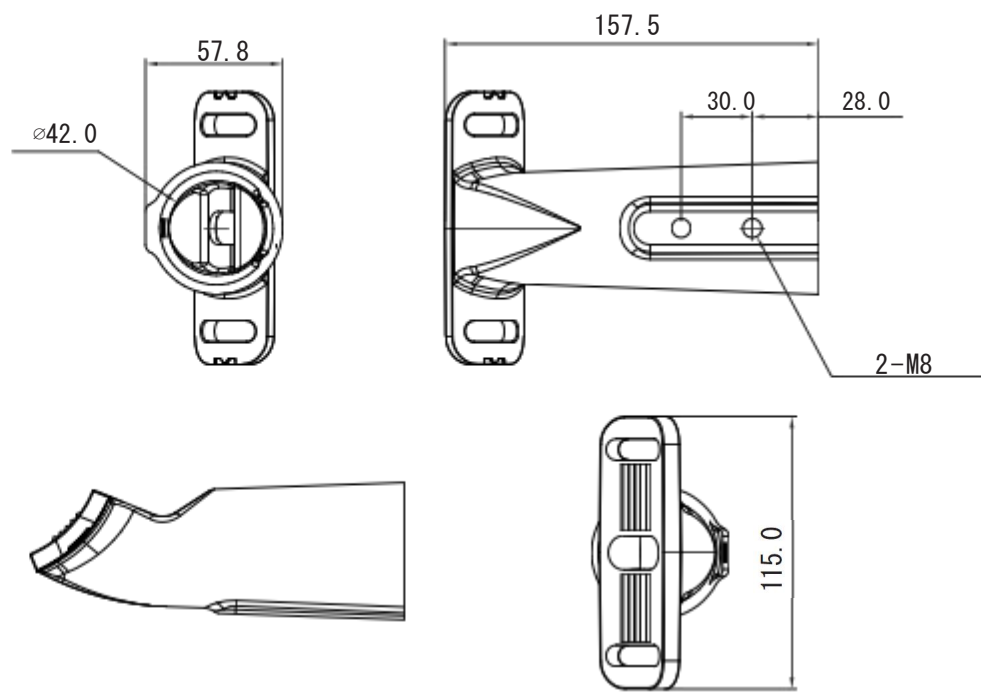
60mm mounting holes

Unit:mm

# Install the shaft



50mm mounting holes



42mm mounting holes

Unit:mm

# Application



## Application

- Main road
- High way
- Flyover
- City street
- Overpass
- Sidewalk
- Square
- School
- Residential district
- Industrial area
- Park



# Technical specification

## A:Technical Parameter

Item No.		RL-S8-25W	RL-S8-40W	RL-S8-50W	RL-S8-50W	RL-S8-60W	RL-S8-75W	RL-S8-75W
Lamp Size		463*173*87mm	463*173*87mm	463*173*87mm	463*173*87mm	570*200*88mm	570*200*88mm	570*200*88mm
Voltage		AC100V-240V 50/60HZ						
Power		25W	40W	50W	50W	60W	75W	75W
LED Type		Lumileds 3030/5050						
LED Quantity	6-in-one lens	96pcs	96pcs	96pcs	24pcs	144pcs	144pcs	36pcs
Luminous Flux	Lumileds 3030 5050	3875 ± 10%	6000 ± 10%	7250 ± 10%	7500 ± 10%	9300 ± 10%	10875 ± 10%	11250 ± 10%
Color Temperature	Warm white	2700-3500K						
	Neutral white	4000-4500K						
	Cool white	5000-6000K						
Beam Angle	6-in-one lens	60°/90°/120°/T2M/T3M/T4M						
Color Rendering Index(CRI)		Ra>70						
Power Supply Efficiency		>88%						
LED Luminous Efficiency		140-150lm/w						
Power Factor(PF)		>0.95						
Total Harmonic Distortion(THD)		≤15%						
IP Rank		IP 66						
Net Weight		2.54KG	2.54KG	2.54KG	2.54KG	3.3KG	3.3KG	3.3KG
Certificate		CE,CB,RoHS						

Item No.		RL-S8-80W	RL-S8-100W	RL-S8-120W	RL-S8-120W	RL-S8-150W	RL-S8-180W	RL-S8-180W
Lamp Size		611*240*89mm	611*240*89mm	611*240*89mm	611*240*89mm	680*260*89mm	680*260*89mm	680*260*89mm
Voltage		AC100V-240V 50/60HZ						
Power		80W	100W	120W	120W	150W	180W	180W
LED Type		Lum i leds 3030/5050						
LED Quantity	6-in-onelens	216pcs	216pcs	216pcs	54pcs	288pcs	288pcs	72pcs
Luminous Flux	Lumileds 3030 5050	12400±10%	15000±10%	17400±10%	18000±10%	22500±10%	26100±10%	27000±10%
Color Temperature	Warm white	2700-3500K						
	Neutral white	4000-4500K						
	Cool white	5000-6000K						
Beam Angle	6-in-onelens	60°/90°/120°/T2M/T3M/T4M						
Color Rendering Index(CRI)		Ra>70						
Power Supply Efficiency		>88%						
LED Luminous Efficiency		140-150lm/w						
Power Factor(PF)		>0.95						
Total Harmonic Distortion(THD)		≤15%						
IP Rank		IP 66						
Net Weight		4.2KG	4.2KG	4.2KG	4.2KG	5.0KG	5.0KG	5.0KG
Certificate		CE,CB,RoHS						



Item No.		RL-S8-200W	RL-S8-200W	RL-S8-240W	RL-S8-240W
Lamp Size		693*300*90mm	693*300*90mm	693*300*90mm	693*300*90mm
Voltage					
Power		200W	200W	240W	240W
LED Type					
LED Quantity	6-in-one lens	384pcs	96pcs	384pcs	96pcs
Luminous Flux	Lumileds 3030 5050	28000±10%	28000±10%	33600±10%	33600±10%
Color Temperature	Warm white	2700-3500K			
	Neutral white	4000-4500K			
	Cool white	5000-6000K			
Beam Angle	6-in-one lens	60°/90°/120°/T2M/T3M/T4M			
Color Rendering Index(CRI)	Ra>70				
Power Supply Efficiency	>88%				
LED Luminous Efficiency	140-150lm/w				
Power Factor(PF)	>0.95				
Total Harmonic Distortion(THD)	≤15%				
IP Rank	IP 66				
Net Weight		5.9KG	5.9KG	5.9KG	5.9KG
Certificate	CE,CB,RoHS				

## A: Technical Parameter ( Intelligent control)

# Technical specification

Item No.		RL-S8-25W	RL-S8-40W	RL-S8-50W	RL-S8-50W	RL-S8-60W	RL-S8-75W	RL-S8-75W
Lamp Size		463*173*110mm	463*173*110mm	463*173*110mm	463*173*110mm	570*200*110mm	570*200*110mm	570*200*110mm
Voltage		AC100V-240V 50/60HZ						
Power		25W	40W	50W	50W	60W	75W	75W
LED Type		Lumileds 3030/5050						
LED Quantity	6-in-onelens	96pcs	96pcs	96pcs	24pcs	144pcs	144pcs	36pcs
Luminous Flux	Lumileds 3030 5050	3875±10%	6000±10%	7250±10%	7500±10%	9300±10%	10875±10%	11250±10%
Color Temperature	Warm white	2700-3500K						
	Neutral white	4000-4500K						
	Cool white	5000-6000K						
Beam Angle	6-in-onelens	60°/90°/120°/T2M/T3M/T4M						
Color Rendering Index(CRI)		Ra>70						
Power Supply Efficiency		>88%						
LED Luminous Efficiency		140-150lm/w						
Power Factor(PF)		>0.95						
Total Harmonic Distortion(THD)		≤15%						
IP Rank		IP 66						
Net Weight		2.94KG	2.94KG	2.94KG	2.94KG	3.7KG	3.7KG	3.7KG
Certificate		CE,CB,RoHS						

Item No.		RL-S8-80W	RL-S8-100W	RL-S8-120W	RL-S8-120W	RL-S8-150W	RL-S8-180W	RL-S8-180W
Lamp Size		611*240*111mm	611*240*111mm	611*240*111mm	611*240*111mm	680*260*111mm	680*260*111mm	680*260*111mm
Voltage		AC100V-240V 50/60HZ						
Power		80W	100W	120W	120W	150W	180W	180W
LED Type		Lum i leds 3030/5050						
LED Quantity	6-in-one lens	216pcs	216pcs	216pcs	54pcs	288pcs	288pcs	72pcs
Luminous Flux	Lumileds 3030 5050	12400±10%	15000±10%	17400±10%	18000±10%	22500±10%	26100±10%	27000±10%
Color Temperature	Warm white	2700-3500K						
	Neutral white	4000-4500K						
	Cool white	5000-6000K						
Beam Angle	6-in-one lens	60°/90°/120°/T2M/T3M/T4M						
Color Rendering Index(CRI)		Ra>70						
Power Supply Efficiency		>88%						
LED Luminous Efficiency		140-150lm/w						
Power Factor(PF)		>0.95						
Total Harmonic Distortion(THD)		≤15%						
IP Rank		IP 66						
Net Weight		4.6KG	4.6KG	4.6KG	4.6KG	5.4KG	5.4KG	5.4KG
Certificate		CE,CB,RoHS						

Item No.		RL-S8-200W	RL-S8-200W	RL-S8-240W	RL-S8-240W
Lamp Size		693*300*111mm	693*300*111mm	693*300*111mm	693*300*111mm
Voltage					
Power		200W	200W	240W	240W
LED Type					
LED Quantity	6-in-one lens	384pcs	96pcs	384pcs	96pcs
Luminous Flux	Lumileds 3030 5050	28000±10%	28000±10%	33600±10%	33600±10%
Color Temperature	Warm white	2700-3500K			
	Neutral white	4000-4500K			
	Cool white	5000-6000K			
Beam Angle	6-in-one lens	60°/90°/120°/T2M/T3M/T4M			
Color Rendering Index(CRI)		Ra>70			
Power Supply Efficiency		>88%			
LED Luminous Efficiency		140-150lm/w			
Power Factor(PF)		>0.95			
Total Harmonic Distortion(THD)		≤15%			
IP Rank		IP 66			
Net Weight		6.3KG	6.3KG	6.3KG	6.3KG
Certificate		CE,CB,RoHS			

# Technical Specification

---

## B: Mechanical Specifications

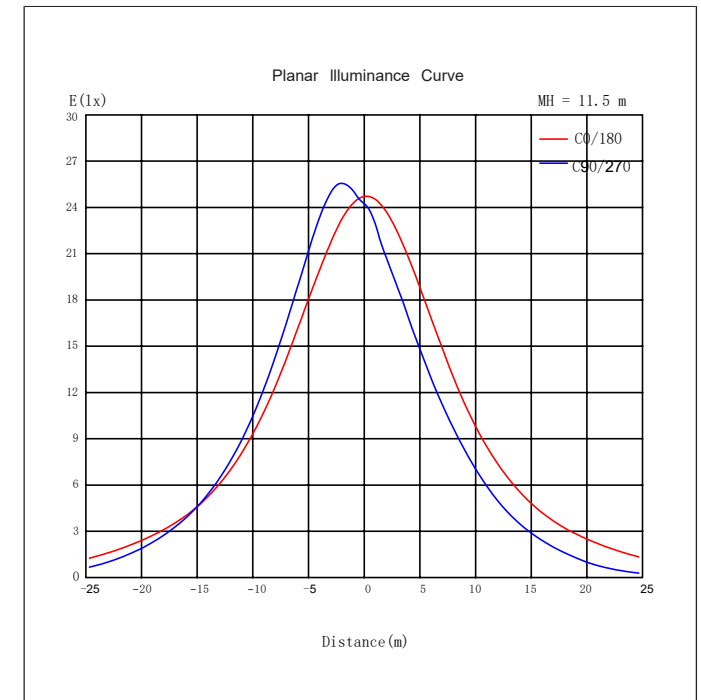
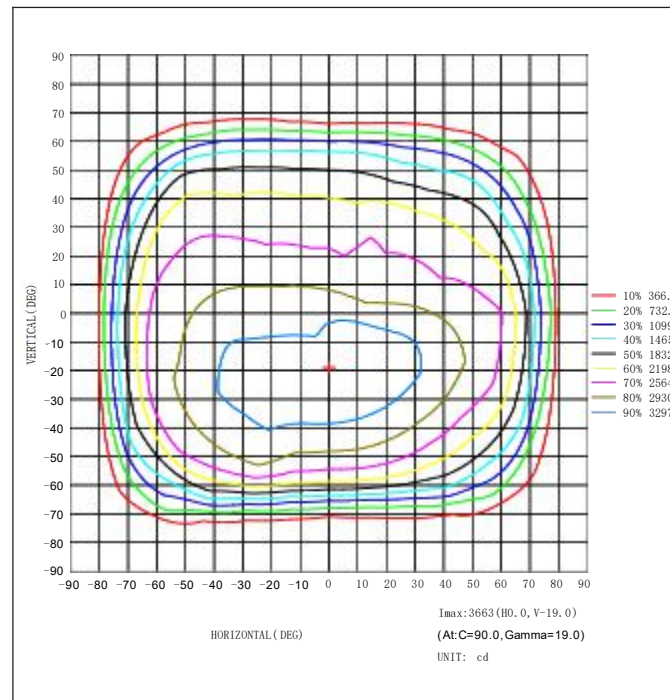
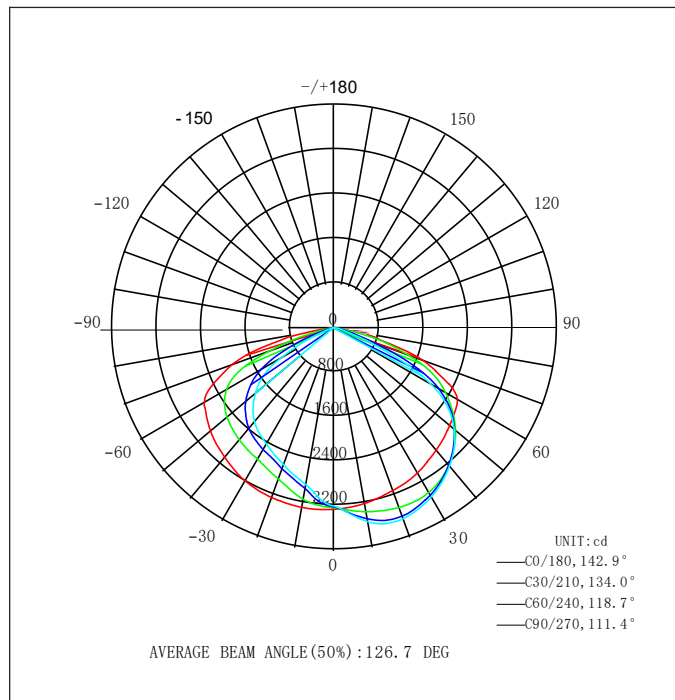
LED Driver	Meanwell/Moso/Sosen/Inventronics
Housing Processing	Die-casting
Material	ADC1 2

## C: Environmental Temperaturt

Temperature Operating Range	-40°C~50°C
Humidity Operating Range	20%~95%
Storage Temperature Range	-40°C~75°C
Storage Humidity Range	10%~80%

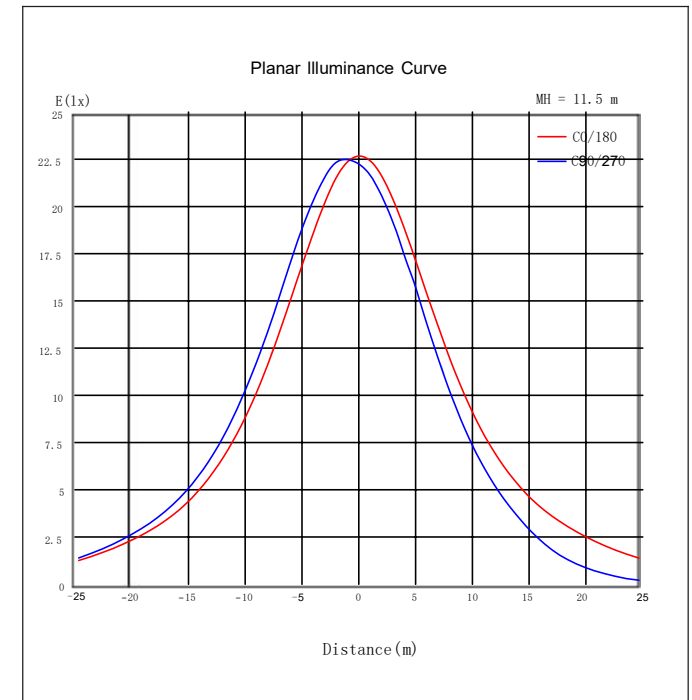
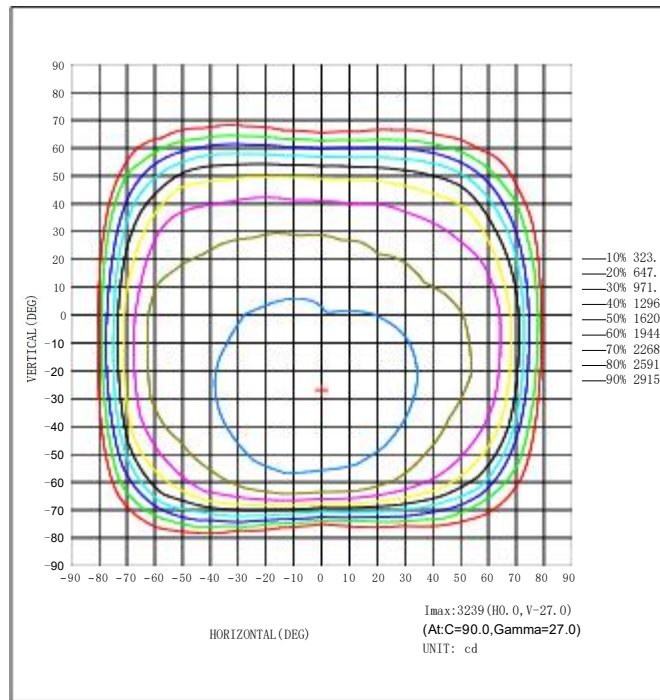
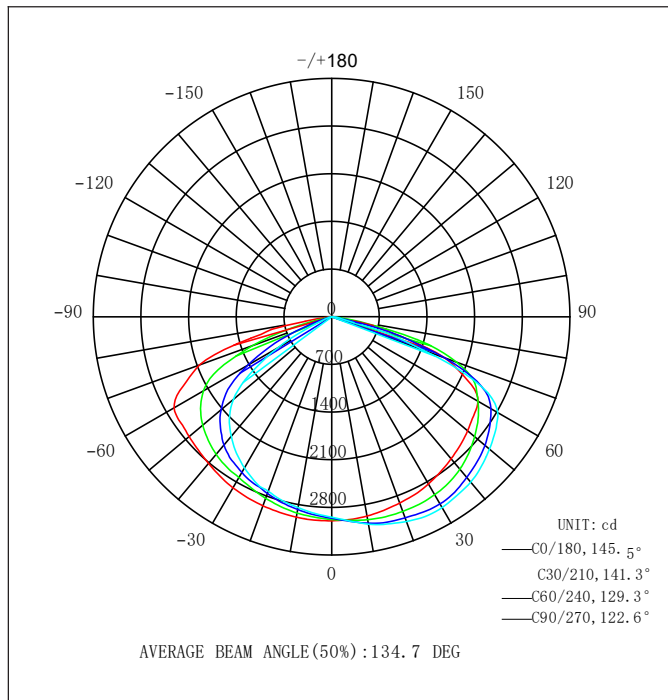
# LUMINOUS INTENSITY DISTRIBUTION

## T2M Unit light distribution curve



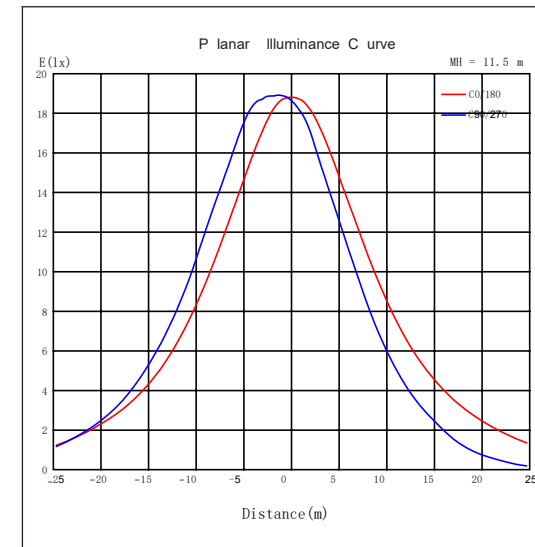
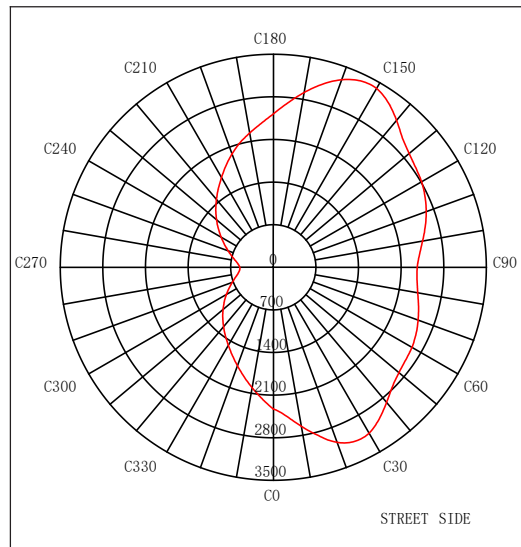
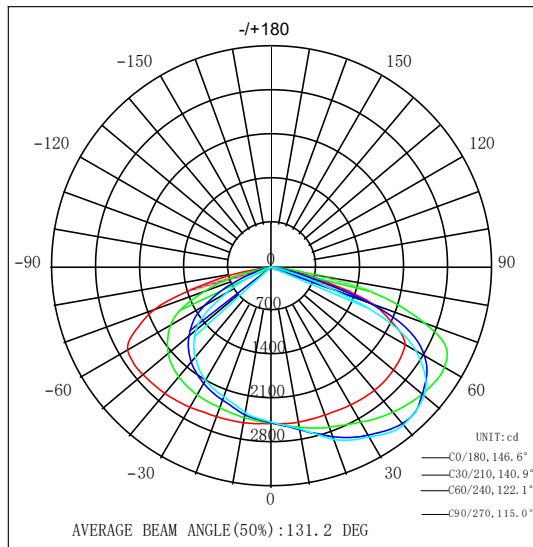
# LUMINOUS INTENSITY DISTRIBUTION

## T3M Unit light distribution curve



# LUMINOUS INTENSITY DISTRIBUTION

## T4M Unit light distribution curve

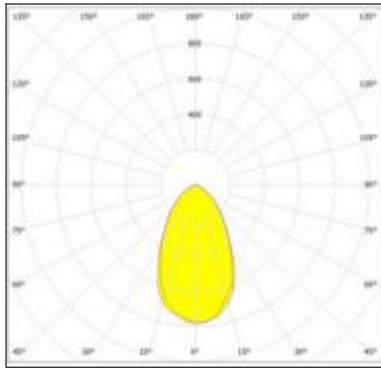


H(C) Range: 0-360DEG  
 H(C) Interval : 15.0 DEG  
 Test Speed: HIGH  
 Temperature: 25.3 DEG  
 Operators: wang  
 Test Date: 2021-04-07

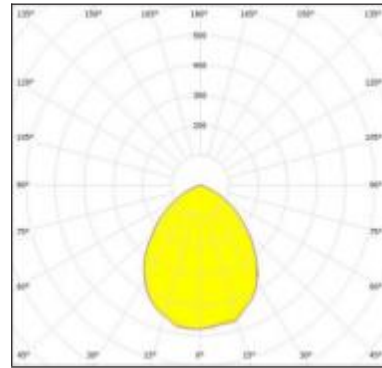
V( γ ) Range: 0-90DEG  
 V( γ ) interval: 1.0 DEG  
 Test System: EVERFINE GO-2000A\_V1  
 Humidity: 65.0 %  
 Test Distance: 12.000 m [k=1.0000]  
 Remarks:



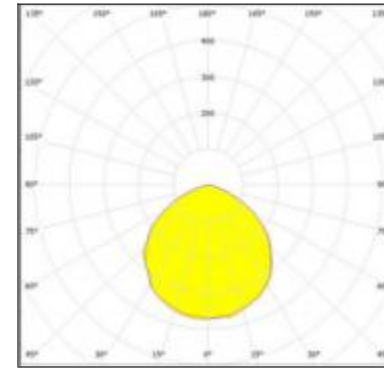
# LUMINOUS INTENSITY DISTRIBUTION



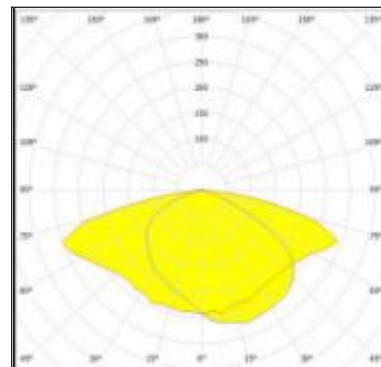
60°



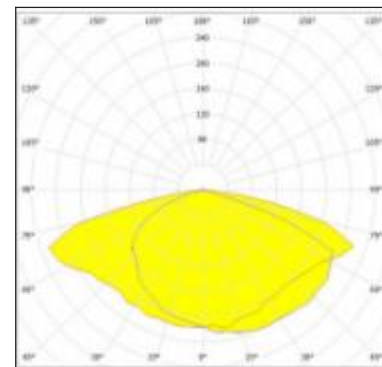
90°



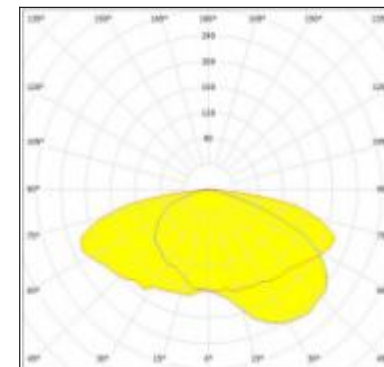
120°



T2M



T3M

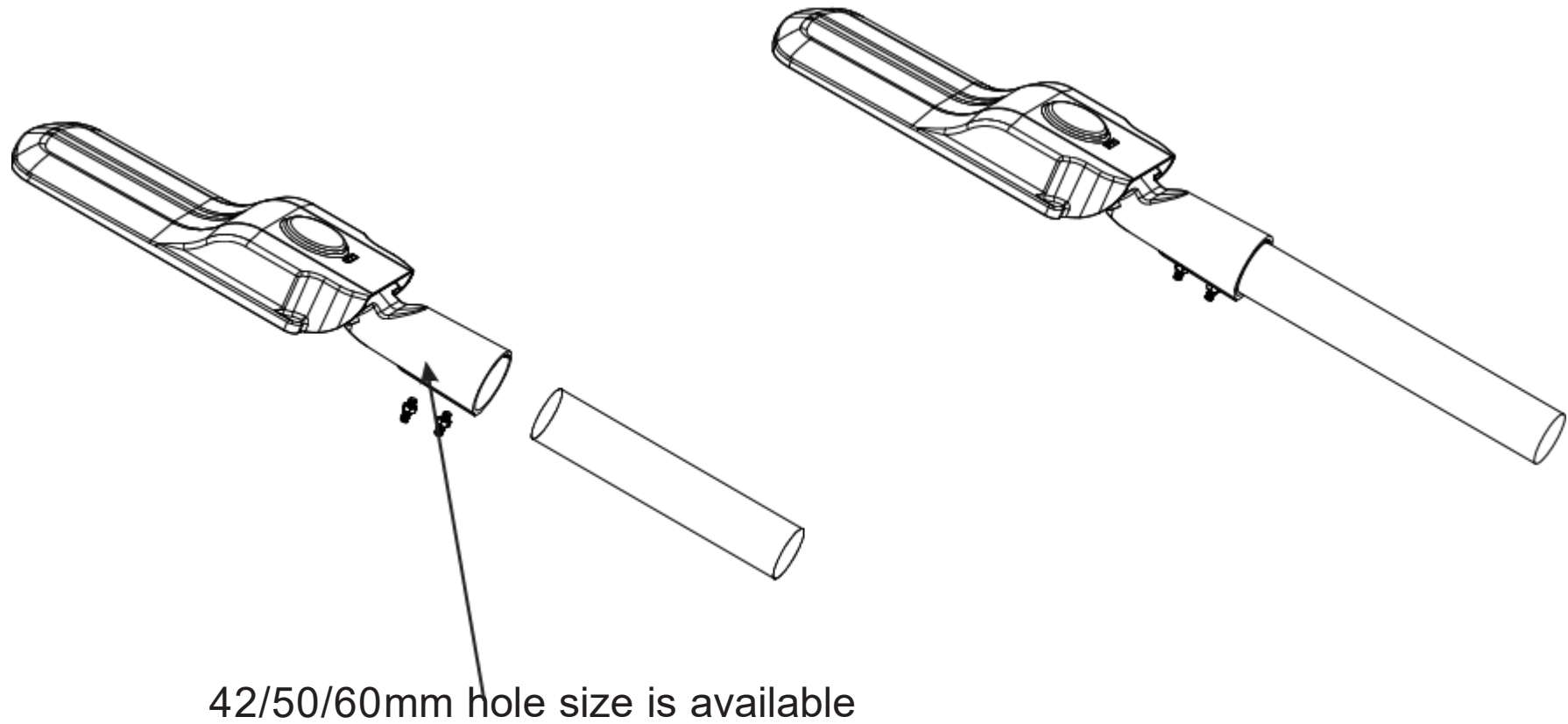


T4M

# Product Installation Drawing

---

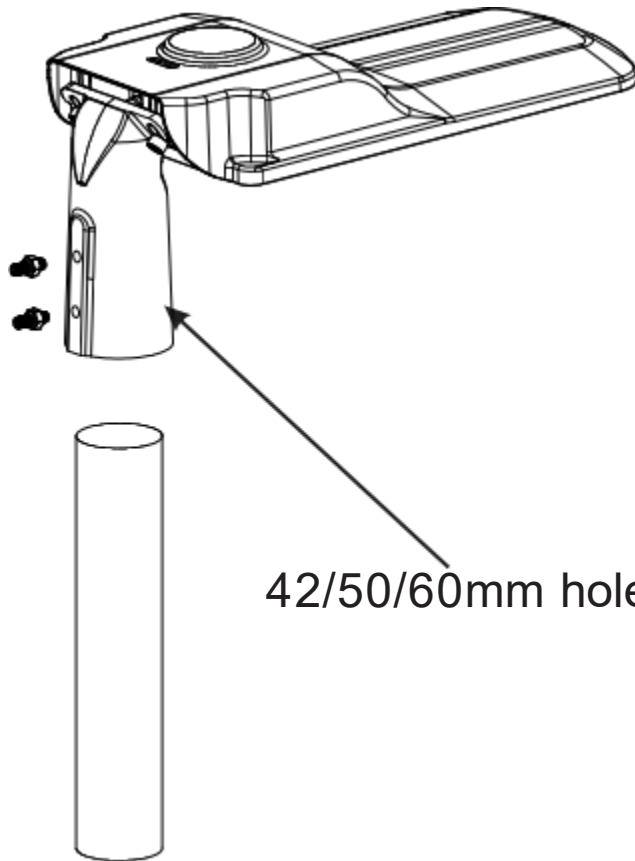
Installation hole size:60mm



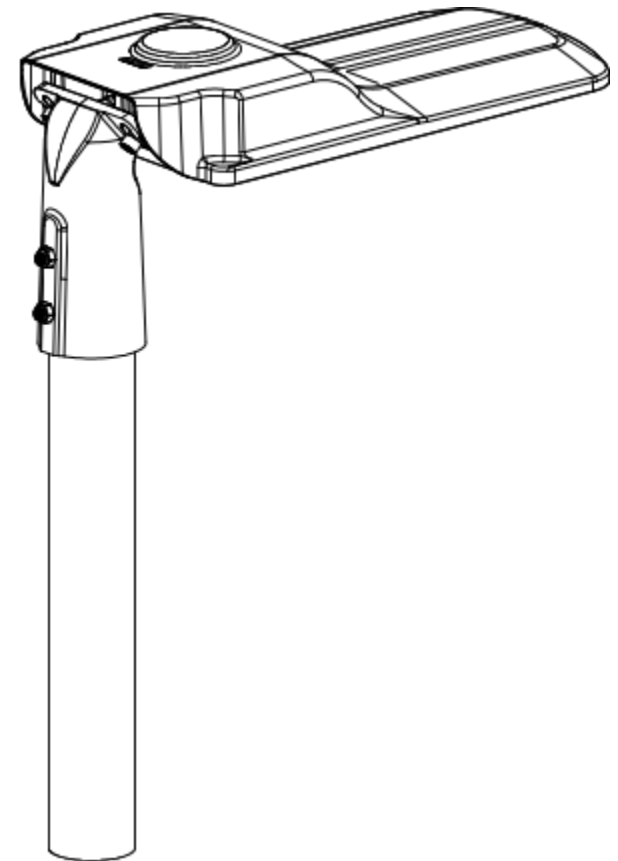
# Product Installation Drawing

---

Installation hole size:60mm



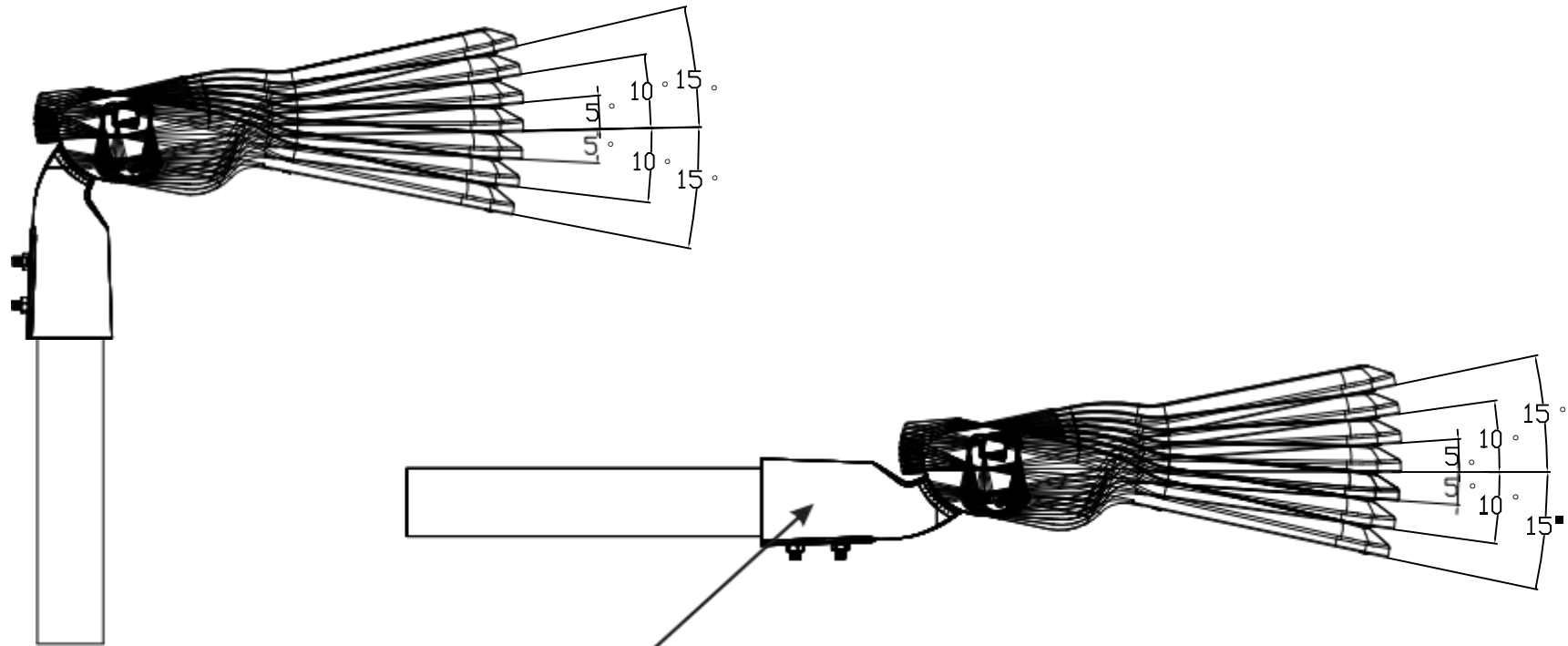
42/50/60mm hole size is available



# Product Installation Drawing

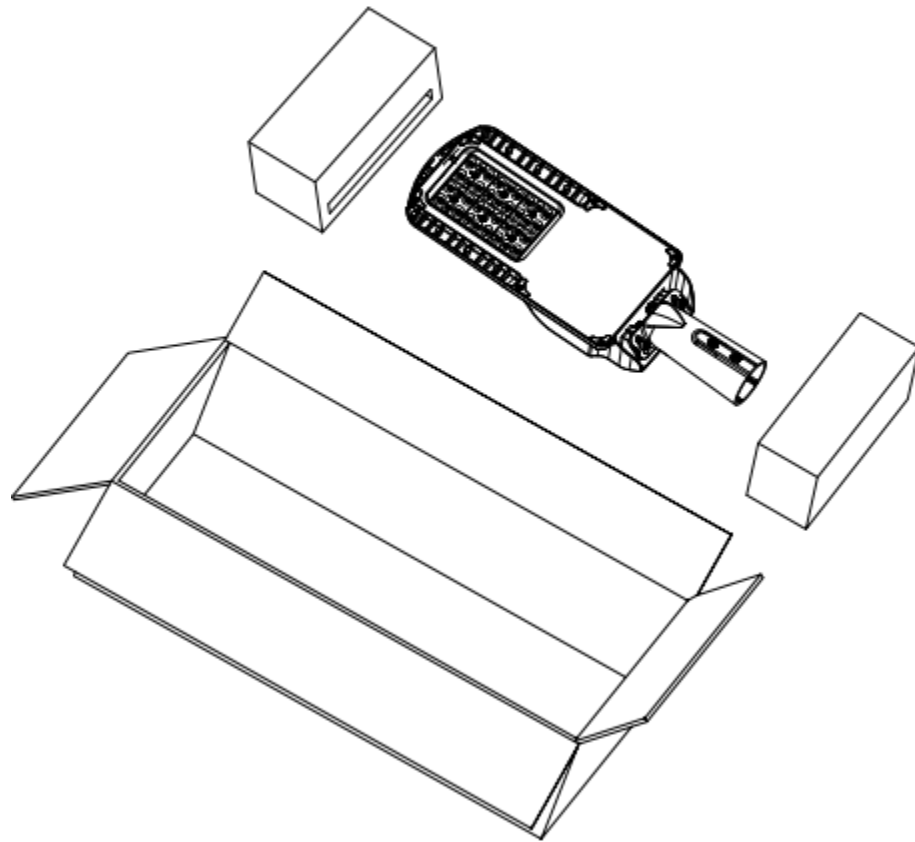
---

Installation hole size:60mm



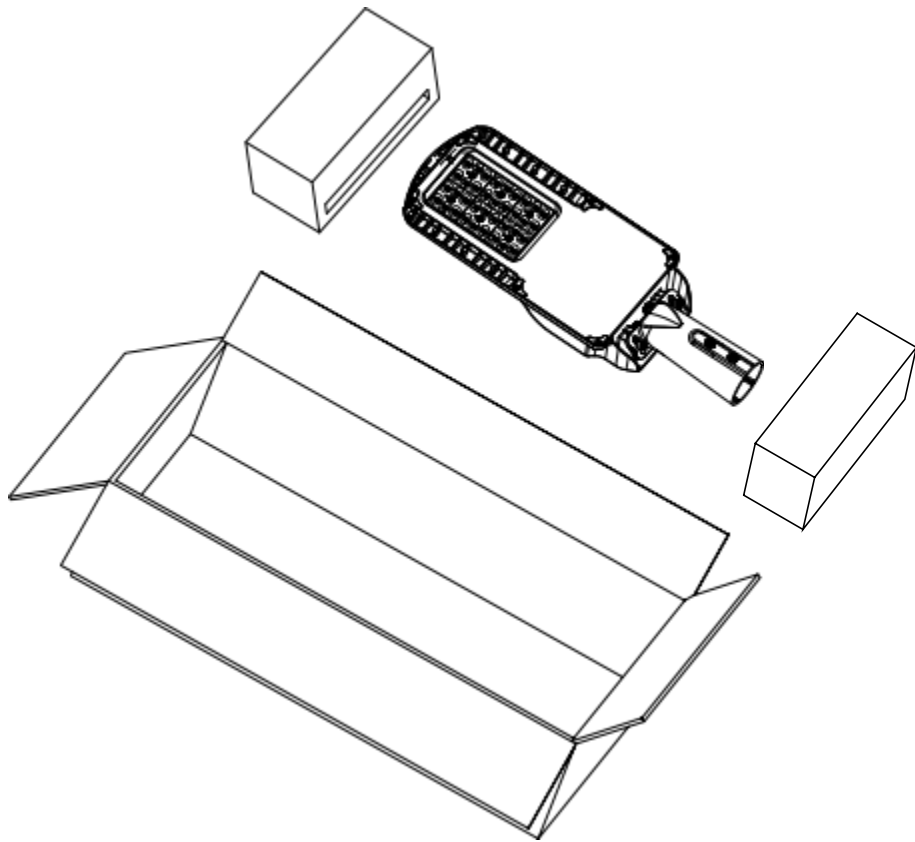
42/50/60mm hole size is available

# Packing



Model number	Size of outer case	QTY	G.W.
RL-S8-25W	540*266*165mm	1pcs	3.0KG
RL-S8-40W	540*266*165mm	1pcs	3.0KG
RL-S8-50W	540*266*165mm	1pcs	3.0KG
RL-S8-50W	540*266*165mm	1pcs	3.0KG
RL-S8-60W	623*255*150mm	1pcs	3.8KG
RL-S8-75W	623*255*150mm	1pcs	3.8KG
RL-S8-75W	623*255*150mm	1pcs	3.8KG
RL-S8-80W	666*295*150mm	1pcs	4.9KG
RL-S8-100W	666*295*150mm	1pcs	4.9KG
RL-S8-120W	666*295*150mm	1pcs	4.9KG
RL-S8-120W	666*295*150mm	1pcs	4.9KG
RL-S8-150W	736*315*150mm	1pcs	5.8KG
RL-S8-180W	736*315*150mm	1pcs	5.8KG
RL-S8-180W	736*315*150mm	1pcs	5.8KG
RL-S8-200W	747*355*150mm	1pcs	6.8KG
RL-S8-200W	747*355*150mm	1pcs	6.8KG
RL-S8-240W	747*355*150mm	1pcs	6.8KG
RL-S8-240W	747*355*150mm	1pcs	6.8KG

# Packing ( Intelligent control )



Model number	Size of outer case	QTY	G.W.
RL-S8-25W	540*266*165mm	1pcs	3.4KG
RL-S8-40W	540*266*165mm	1pcs	3.4KG
RL-S8-50W	540*266*165mm	1pcs	3.4KG
RL-S8-50W	540*266*165mm	1pcs	3.4KG
RL-S8-60W	623*255*150mm	1pcs	4.2KG
RL-S8-75W	623*255*150mm	1pcs	4.2KG
RL-S8-75W	623*255*150mm	1pcs	4.2KG
RL-S8-80W	666*295*150mm	1pcs	5.3KG
RL-S8-100W	666*295*150mm	1pcs	5.3KG
RL-S8-120W	666*295*150mm	1pcs	5.3KG
RL-S8-120W	666*295*150mm	1pcs	5.3KG
RL-S8-150W	736*315*150mm	1pcs	6.2KG
RL-S8-180W	736*315*150mm	1pcs	6.2KG
RL-S8-180W	736*315*150mm	1pcs	6.2KG
RL-S8-200W	747*355*150mm	1pcs	7.2KG
RL-S8-200W	747*355*150mm	1pcs	7.2KG
RL-S8-240W	747*355*150mm	1pcs	7.2KG
RL-S8-240W	747*355*150mm	1pcs	7.2KG

# Attention

---

1. Please do not disassemble the lamp without permission, or it will be deemed to have waived the warranty service.
2. Please read the manual carefully before installation.
3. Please check everything carefully before use. If any abnormalities occurred during use, please contact us immediately.
4. Please make sure the power is turned off before installation.
5. Please turn to professional electrician if any failure.

# Warranty terms

---

All items are 5-year warranty since the purchase date.

1. Under warranty terms, if products are broken down under normal usage within warranty period, will provide free maintenance service based on the proof-documents and invoice (copy) of the failed products.
2. Will not provide paid maintenance service under following conditions even within warranty.
  - a. Failure or damage caused by force majeure.
  - b. Failure or damage caused by transport or unloading.
  - c. Failure or damage caused by incorrectly usage or fail to comply with the Manual and Caution.
  - d. Failure or damage caused by demolition, repair or alteration without Manufacturer's authorization.
3. Please deliver the failed products by original packing for maintenance service, will not be responsible for any failure
4. reserves the right for final explanation of aforesaid terms.

Cautions: will not be responsible for any other failure or damage by incorrectly usage.