

High Efficiency LED Street Light

25-400W

150lm/w

- Patent private mould, integrated die-casting AL
- High efficiency 130lm/w, 150lm/w, 170lm/w available
- professional glare-free lens, TYPE2/TYPE3/TYPE4/60°/90° available
- 0-10V dimming/time control/light sensor/IOT control available
- Specialized aluminum sheet design, glue-free for glass fixation
- Ingradienter design: easy for horizontal installation
- snap-on type driver housing tool-free disassembly
- Batwing light shape
- various applications: street light, shoebox light projector, etc
- IP66

colour

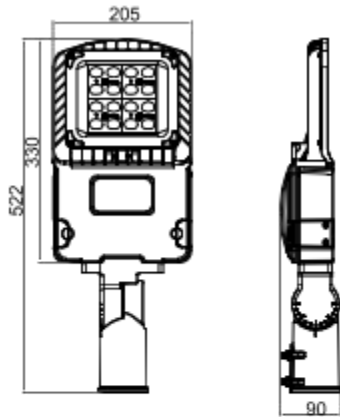


GLITTER
LIGHTING

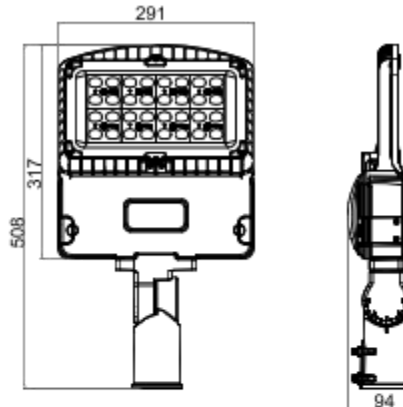


Address: 5F, No.1, Yangrong 1st Road, Yangrong Industrial Area, Tangzhenong
Community, Yantai Town, Baotou District, Pheungnan, China.

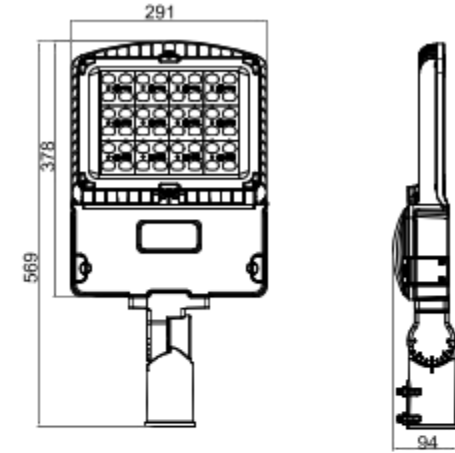
Dimension



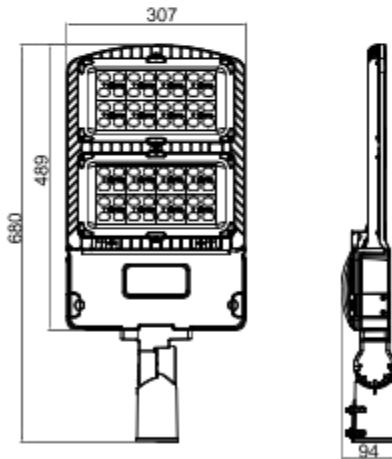
25-80w



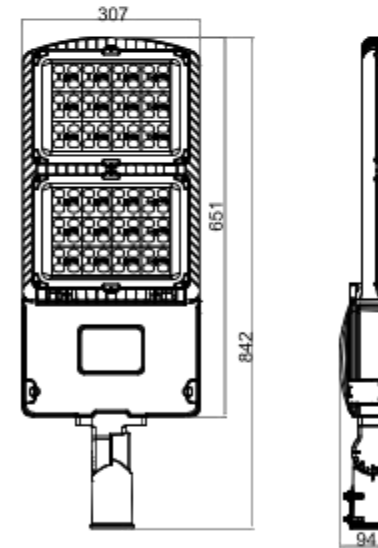
90-150w



150-200w



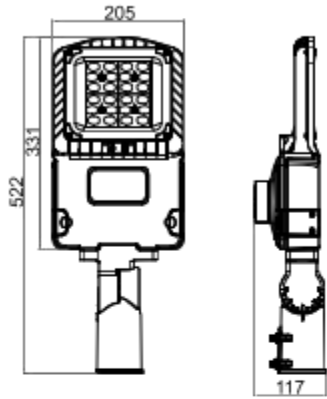
200-300w



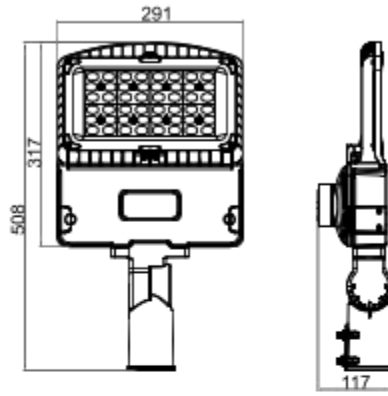
300-400w

Unit:mm

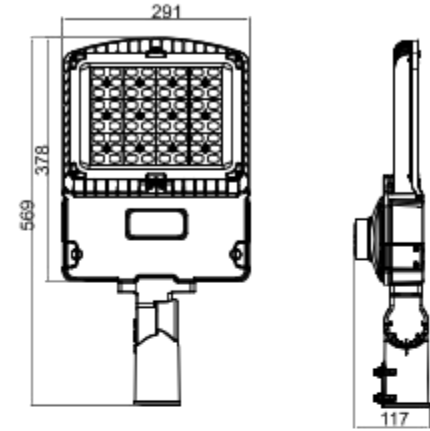
Dimension (light control)



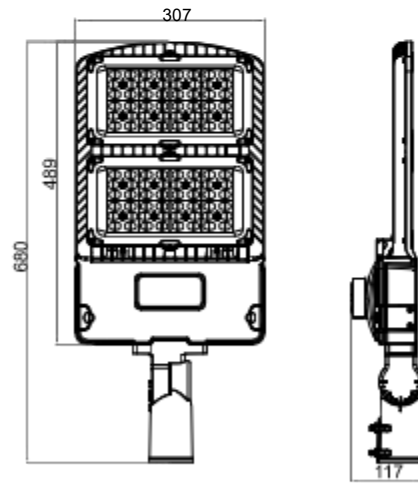
25-80w



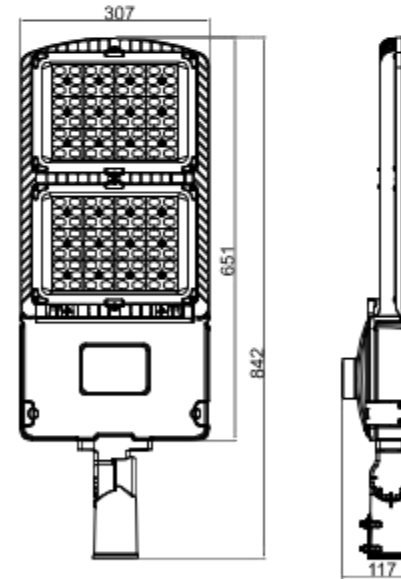
90-150w



150-200w



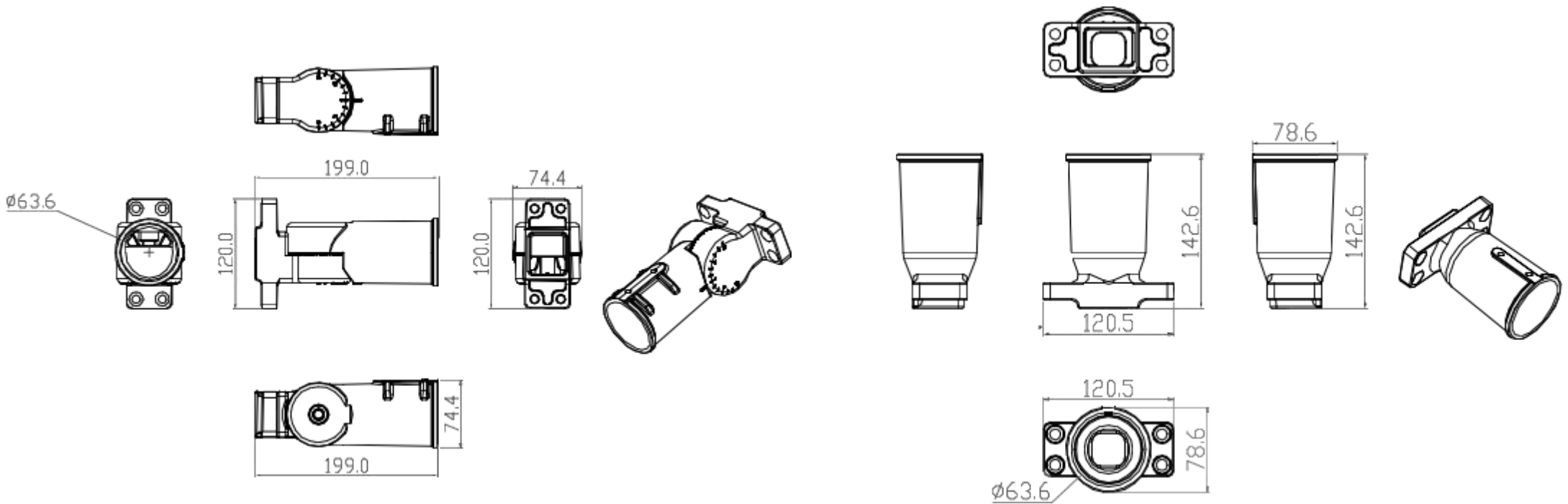
200-300w



300-400w

Unit:mm

Install the shaft

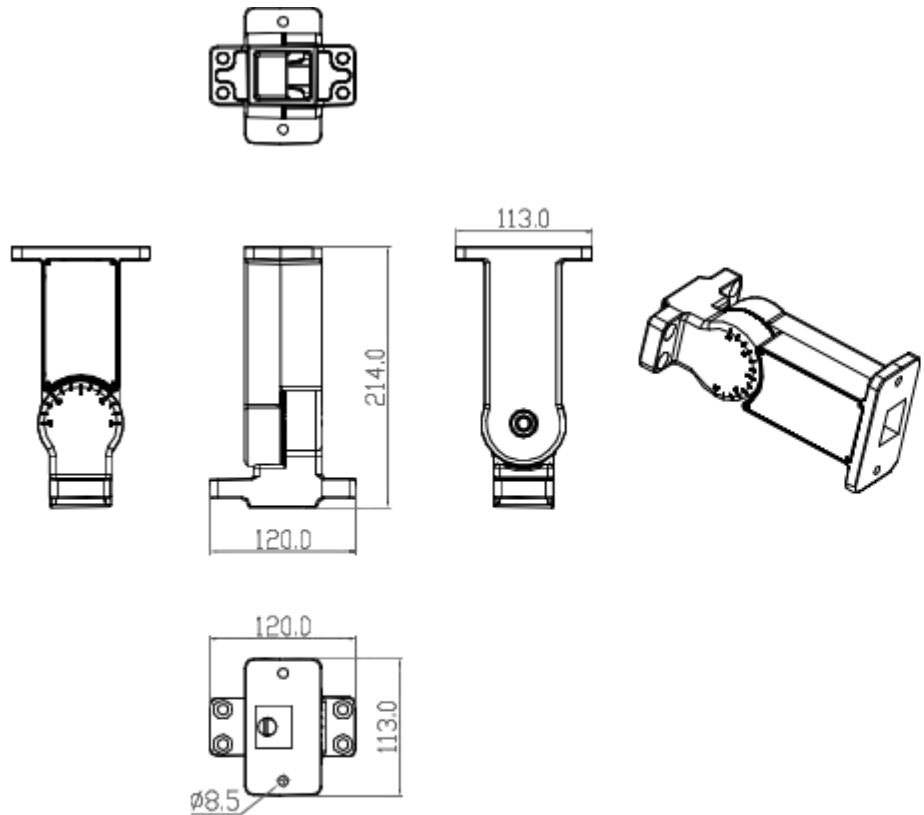


60 mounting shaft A (Rotating Shaft)

60 mounting shaft B (straight head)

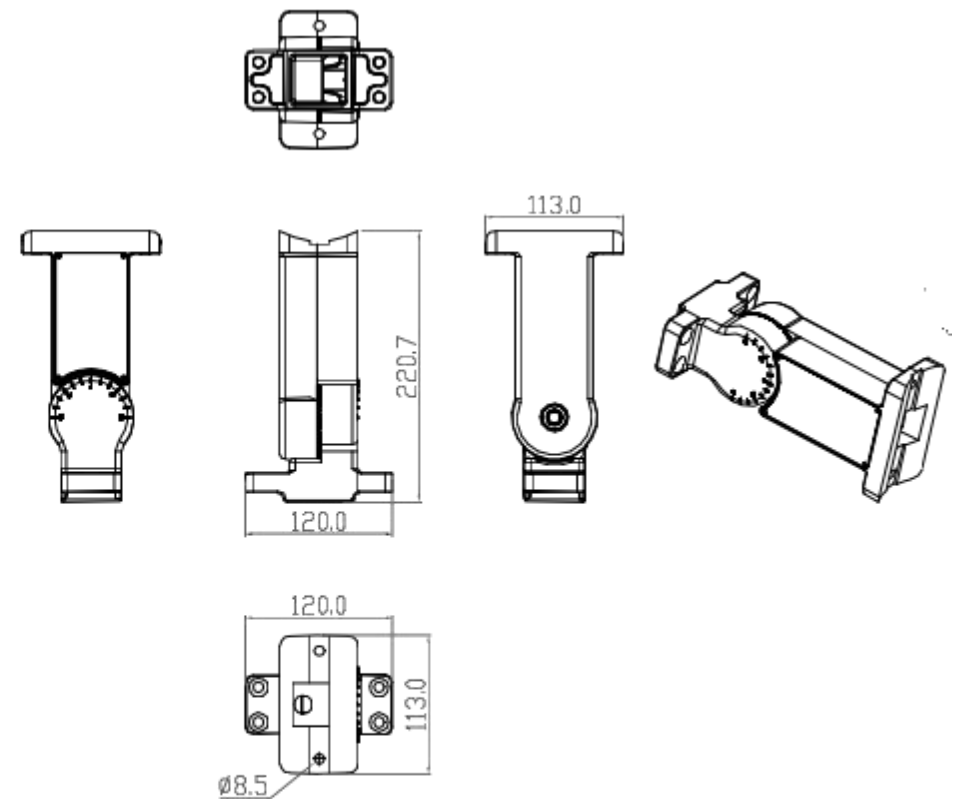
Unit:mm

Install the shaft



Mounting Shaft C

(wall mounting, shoe box lamp installation)

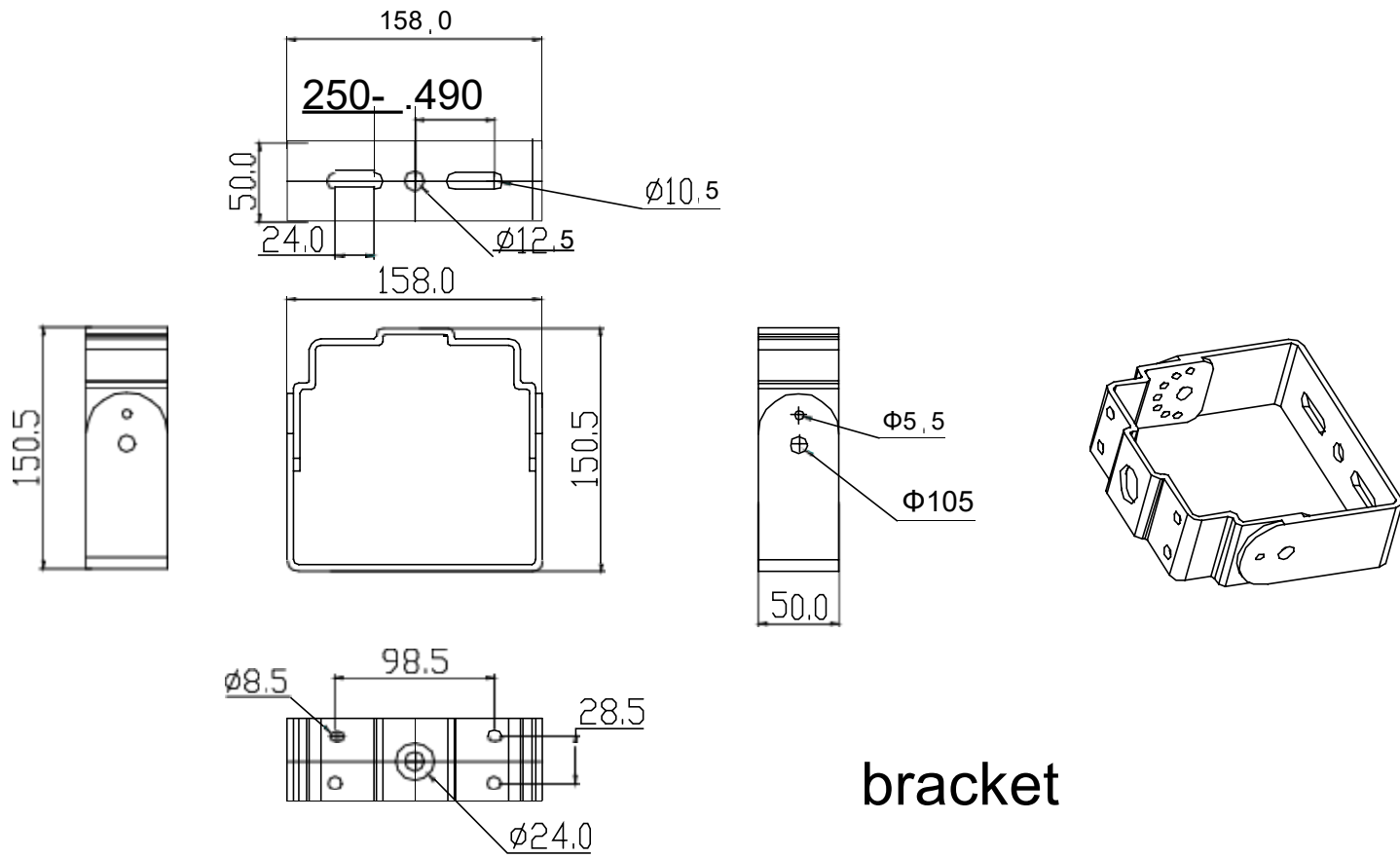


Mounting Shaft D

(straight pole installation, shoe box lamp installation)

Unit:mm

Mountingbracket



bracket

unit:mm

Application



Application

- Main road
- High way
- Flyover
- City street
- Overpass
- Sidewalk
- Square
- School
- Residential district
- Industrial area
- Park



Technical specification

A: Technical Parameter

| | | | | | | | | | | |
|---------------------------------|---------------------|---------------------|--------------|--------------|--------------|--------------|--------------|--------------|--------------|-----------|
| Item No | RL-S6-25W | RL-S6-30W | RL-S6-50W | RL-S6-60W | RL-S6-80W | RL-S6-80W | RL-S6-100W | RL-S6-120W | RL-S6-150W | |
| LampSize | 522*205*90mm | 522*205*90mm | 522*205*90mm | 522*205*90mm | 522*205*90mm | 508*291*94mm | 508*291*94mm | 508*291*94mm | 508*291*94mm | |
| Voltage | AC100V-240V 50/60HZ | | | | | | | | | |
| Power | 25W | 30W | 50W | 60W | 80W | 80W | 100W | 120W | 150W | |
| LED Type | 3030,5050 | | | | | | | | | |
| LED Quantity | 6-in-one lens | 96pcs | 96pcs | 96pcs | 96pcs | 32pcs | 192pcs | 192pcs | 192pcs | 64pcs |
| Luminous Flux | Lumileds3030,5050 | 4000±10% | 4800±10% | 7500±10% | 8400±10% | 11000±10% | 12000±10% | 15000±10% | 16800±10% | 21000±10% |
| Color Temperature | Warm white | 2800-3500K | | | | | | | | |
| | Neutral white | 3800-4500K | | | | | | | | |
| | Cool white | 5000-6000K | | | | | | | | |
| Beam Angle | 6-in-one lens | T2M,T3M,T4M,60°,90° | | | | | | | | |
| Color Rendering Index (CRI) | Ra>70 | | | | | | | | | |
| Power Supply Efficiency | >88% | | | | | | | | | |
| LED Luminous Efficiency | 140-150lm/W | | | | | | | | | |
| Power Factor (PF) | >0.95 | | | | | | | | | |
| Total Harmonic Distortion (THD) | ≤15% | | | | | | | | | |
| IP Rank | IP 66 | | | | | | | | | |
| Weight | 3.1KG | 3.1KG | 3.1KG | 3.1KG | 3.1KG | 3.8KG | 3.8KG | 3.8KG | 3.8KG | |
| Certificate | CE, CB | | | | | | | | | |

| | | | | | | | | | | |
|---------------------------------|-----------------------|---------------------|--------------|--------------|--------------|--------------|--------------|--------------|--------------|--------------|
| Item No | | RL-S6-150W | RL-S6-180W | RL-S6-200W | RL-S6-200W | RL-S6-250W | RL-S6-300W | RL-S6-300W | RL-S6-360W | RL-S6-400W |
| Lampsize | | 569*291*94mm | 569*291*94mm | 569*291*94mm | 680*307*94mm | 680*307*94mm | 680*307*94mm | 842*307*94mm | 842*307*94mm | 842*307*94mm |
| Voltage | | AC100V-240V 50/60HZ | | | | | | | | |
| Power | | 150W | 180W | 200W | 200W | 250W | 300W | 300W | 360W | 400W |
| LED Type | | 3030,5050 | | | | | | | | |
| LED Quantity | 6-in-one lens | 288pcs | 288pcs | 96pcs | 384pcs | 384pcs | 128pcs | 576pcs | 576pcs | 192pcs |
| Luminous Flux | Lumileds 3030,5050 | 22500±10% | 25200±10% | 29000±10% | 30000±10% | 35000±10% | 42000±10% | 45000±10% | 50400±10% | 56000±10% |
| Color Temperature | Warm white | 2800-3500K | | | | | | | | |
| | Neutral white | 3800-4500K | | | | | | | | |
| | Cool white | 5000-6000K | | | | | | | | |
| Beam Angle | 6-in-one lens | T2M,T3M,T4M,60°,90° | | | | | | | | |
| Color Rendering Index (CRI) | | Ra>70 | | | | | | | | |
| Power Supply Efficiency | | >88% | | | | | | | | |
| LED Luminous Efficiency | | 140-150lm/w | | | | | | | | |
| Power Factor (PF) | | >0.95 | | | | | | | | |
| Total Harmonic Distortion (THD) | | ≤15% | | | | | | | | |
| IP Rank | | IP 66 | | | | | | | | |
| Weight | | 4.5KG | 4.5KG | 4.5KG | 5.5KG | 5.5KG | 5.5KG | 8.5KG | 8.5KG | 8.5KG |
| Certificate | | CE, CB | | | | | | | | |

A:Technical Parameter (light control)

Technical specification

| Item No | RL-S6-25W | RL-S6-30W | RL-S6-50W | RL-S6-60W | RL-S6-80W | RL-S6-80W | RL-S6-100W | RL-S6-120W | RL-S6-150W | |
|---------------------------------|-----------------------|---------------------|---------------|---------------|---------------|---------------|---------------|---------------|---------------|-----------|
| LampSize | 522*205*117mm | 522*205*117mm | 522*205*117mm | 522*205*117mm | 522*205*117mm | 508*291*117mm | 508*291*117mm | 508*291*117mm | 508*291*117mm | |
| Voltage | AC100V-240V 50/60HZ | | | | | | | | | |
| Power | 25W | 30W | 50W | 60W | 80W | 80W | 100W | 120W | 150W | |
| LED Type | 3030,5050 | | | | | | | | | |
| LED Quantity | 6-in-one lens | 96pcs | 96pcs | 96pcs | 96pcs | 32pcs | 192pcs | 192pcs | 192pcs | 64pcs |
| Luminous Flux | Lumileds 3030 5050 | 4000±10% | 4800±10% | 7500±10% | 8400±10% | 11000±10% | 12000±10% | 15000±10% | 16800±10% | 21000±10% |
| Color Temperature | Warm white | 2800-3500K | | | | | | | | |
| | Neutral white | 3800-4500K | | | | | | | | |
| | Cool white | 5000-6000K | | | | | | | | |
| Beam Angle | 6-in-one lens | T2M,T3M,T4M,60°,90° | | | | | | | | |
| Color Rendering Index (CRI) | Ra>70 | | | | | | | | | |
| Power Supply Efficiency | >88% | | | | | | | | | |
| LED Luminous Efficiency | 140-150lm/W | | | | | | | | | |
| Power Factor (PF) | >0.95 | | | | | | | | | |
| Total Harmonic Distortion (THD) | ≤15% | | | | | | | | | |
| IP Rank | IP 66 | | | | | | | | | |
| Weight | 3.5KG | 3.5KG | 3.5KG | 3.5KG | 3.5KG | 4.2KG | 4.2KG | 4.2KG | 4.2KG | |
| Certificate | CE, CB | | | | | | | | | |

| Item No | RL-S6- 150W | RL-S6- 180W | RL-S6-200W | RL-S6-200W | RL-S6-250W | RL-S6-300W | RL-S6-300W | RL-S6-360W | RL-S6-400W | |
|---------------------------------|-----------------------|---------------------|---------------|---------------|---------------|---------------|---------------|---------------|---------------|-----------|
| LampSize | 569*291*117mm | 569*291*117mm | 569*291*117mm | 680*307*117mm | 680*307*117mm | 680*307*117mm | 842*307*117mm | 842*307*117mm | 842*307*117mm | |
| Voltage | AC100V-240V 50/60HZ | | | | | | | | | |
| Power | 150W | 180W | 200W | 200W | 250W | 300W | 300W | 360W | 400W | |
| LED Type | 3030,5050 | | | | | | | | | |
| LED Quantity | 6-in-one lens | 288pcs | 288pcs | 96pcs | 384pcs | 384pcs | 128pcs | 576pcs | 576pcs | 192pcs |
| Luminous Flux | Lumileds 3030 5050 | 22500±10% | 25200±10% | 29000±10% | 30000±10% | 35000±10% | 42000±10% | 45000±10% | 50400±10% | 56000±10% |
| Color Temperature | Warm white | 2800-3500K | | | | | | | | |
| | Neutral white | 3800-4500K | | | | | | | | |
| | Cool white | 5000-6000K | | | | | | | | |
| Beam Angle | 6-in-one lens | T2M,T3M,T4M,60°,90° | | | | | | | | |
| Color Rendering Index (CRI) | Ra>70 | | | | | | | | | |
| Power Supply Efficiency | >88% | | | | | | | | | |
| LED Luminous Efficiency | 140-150lm/W | | | | | | | | | |
| Power Factor (PF) | >0.95 | | | | | | | | | |
| Total Harmonic Distortion (THD) | ≤15% | | | | | | | | | |
| IP Rank | IP 66 | | | | | | | | | |
| Weight | 4.9KG | 4.9KG | 4.9KG | 5.9KG | 5.9KG | 5.9KG | 8.9KG | 8.9KG | 8.9KG | |
| Certificate | CE, CB | | | | | | | | | |

Technical Specification

B: Mechanical Specifications

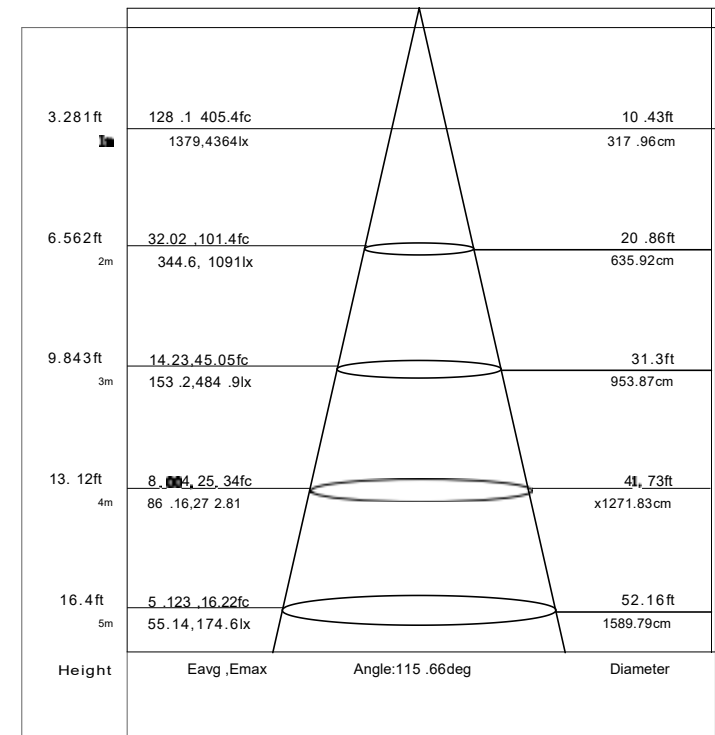
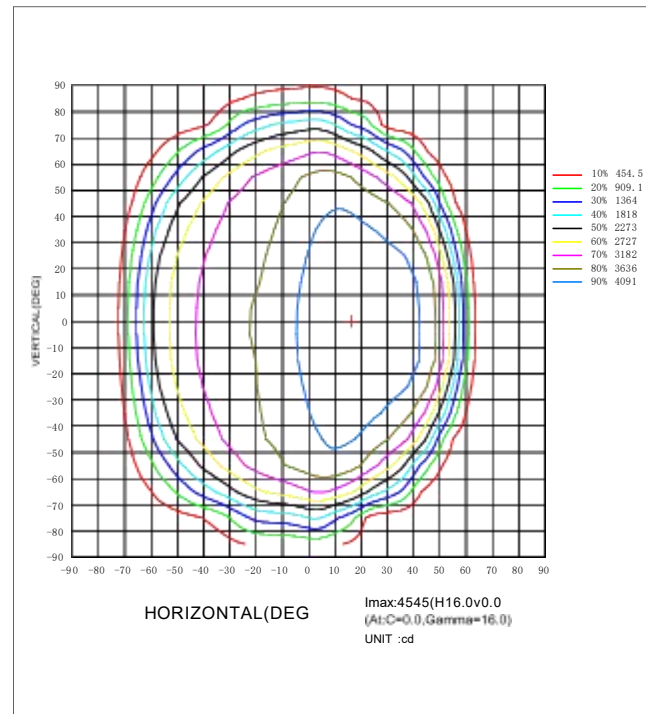
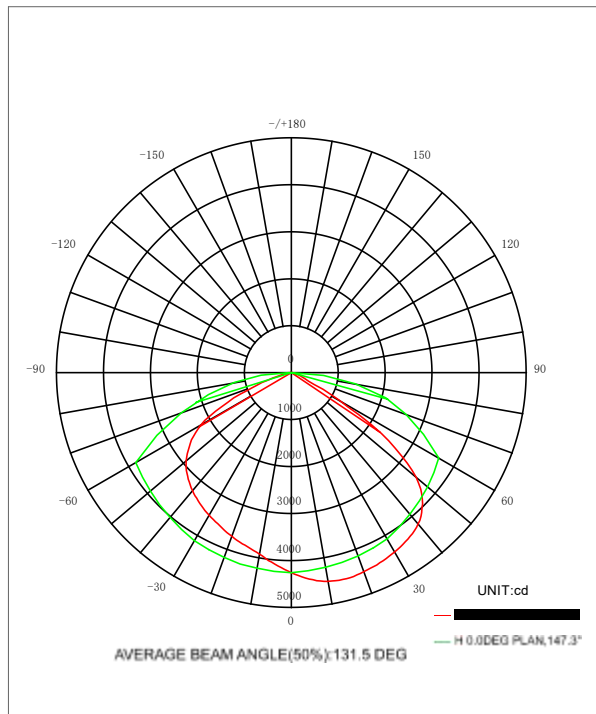
| | |
|--------------------|---------------------|
| LED driver | MEANWELL/MOSO/SOSEN |
| Housing processing | Die-cast in |
| Material | ADC12 |

C : Environmental Temperature

| | |
|-----------------------------|--------------|
| Temperature operating Range | -40°C ~ 50°C |
| Humidity operating Range | 20% ~ 95% |
| storage Temperature Range | -40°C ~ 75°C |
| storage Humidity Range | 10% ~ 80 |

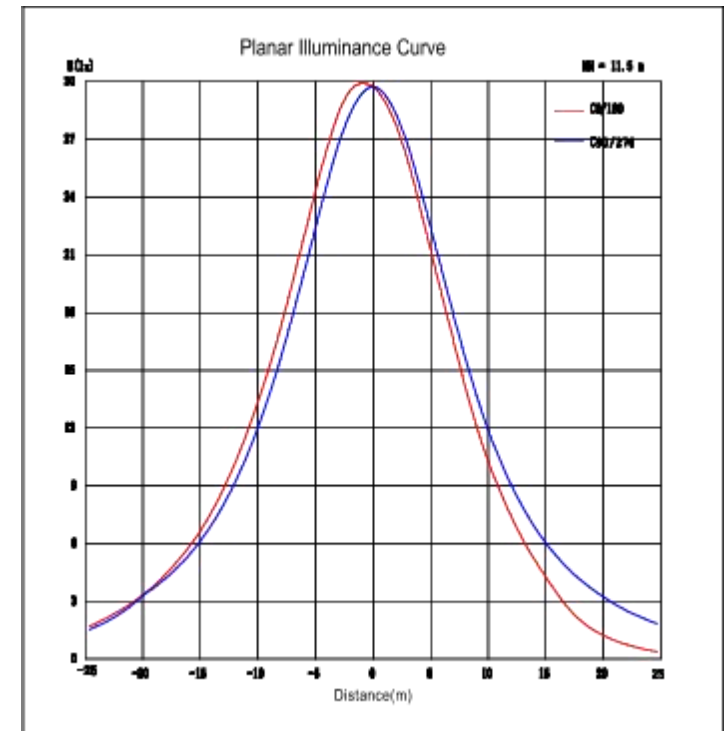
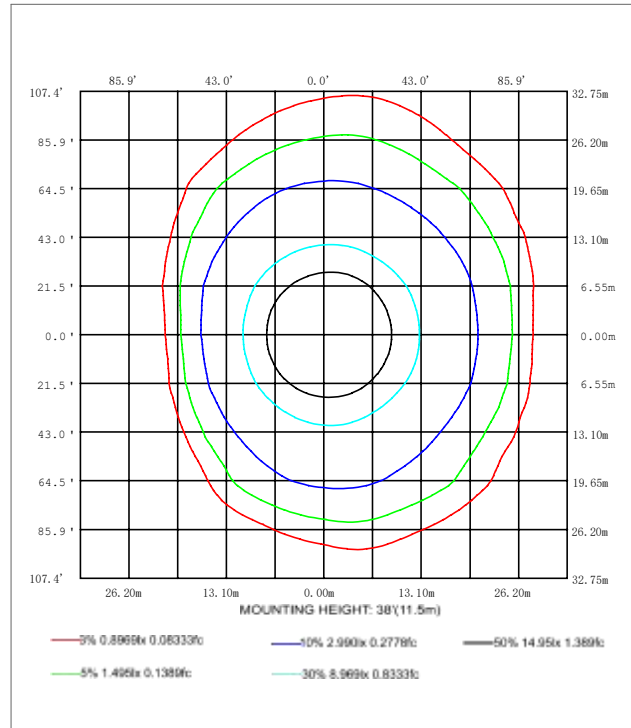
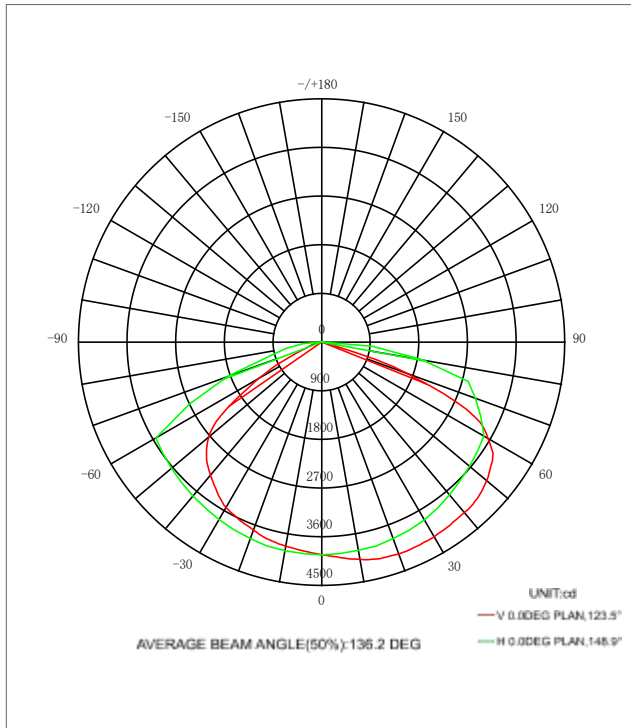
LUMINOUS INTENSITY DISTRIBUTION

T2Munitlightdistributioncurve



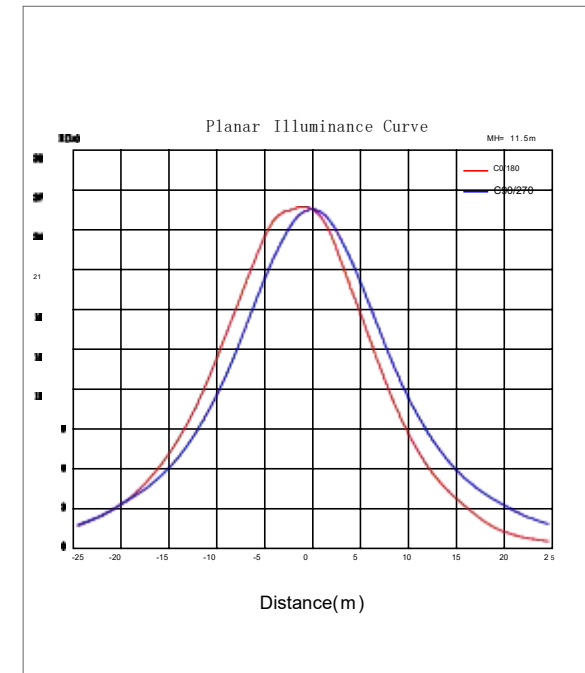
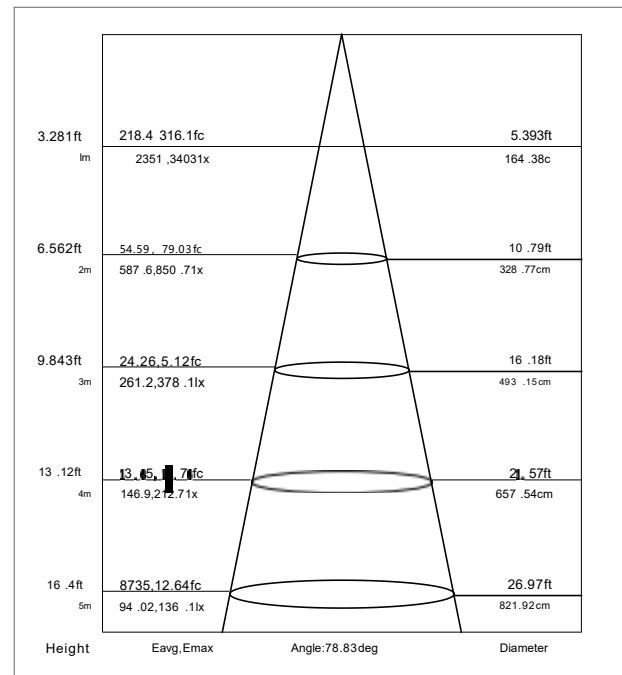
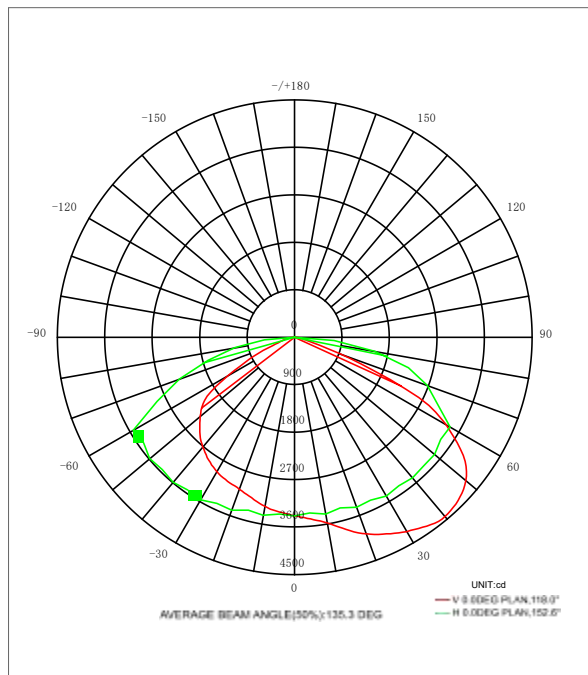
LUMINOUS INTENSITY DISTRIBUTION

T3M Unit light distribution curve



LUMINOUS INTENSITY DISTRIBUTION

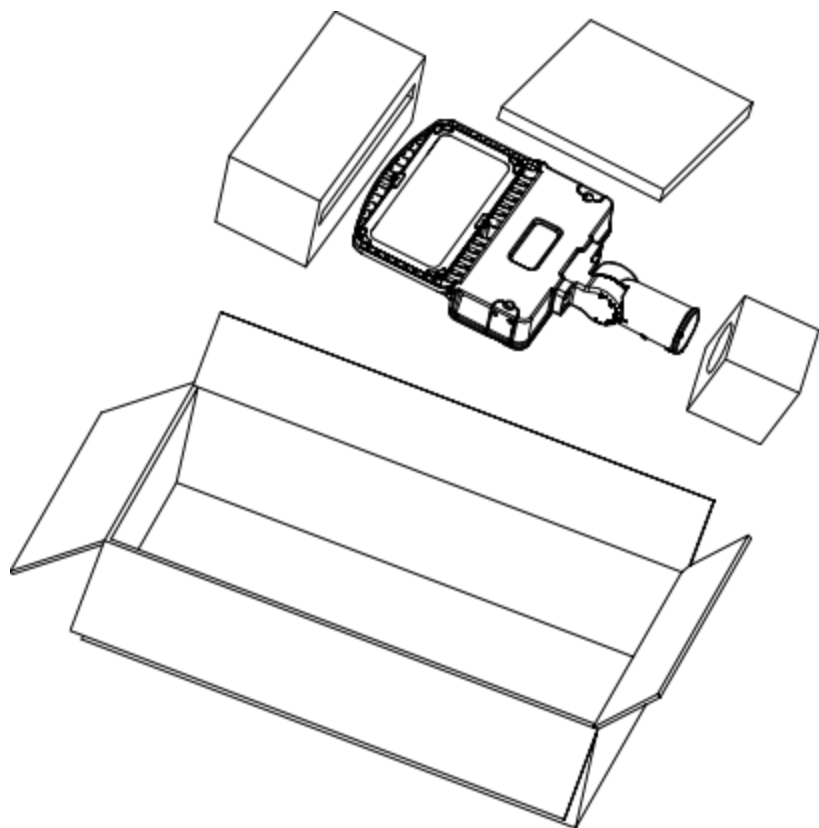
T4Muni light distribution curve



H(□)Range:-90 - 90DEG
 H(□)Interval :1.0DEG
 Testspeed :HIGH
 Temperature:25.3DEG
 operators wan9
 TestDate:2020-08-26

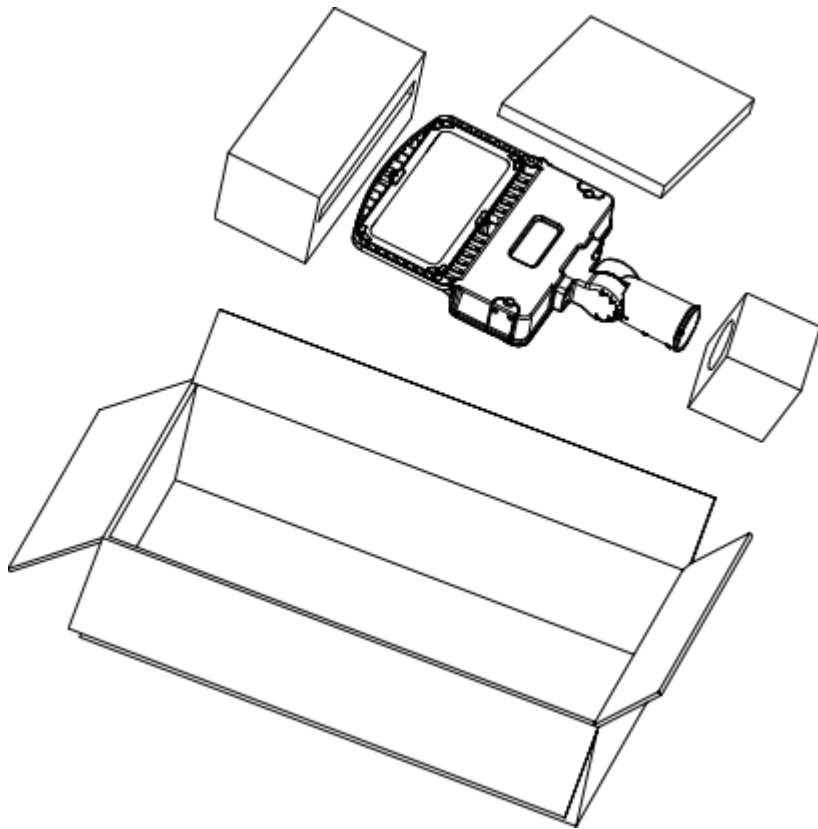
V(B)Range:-90 - 90DEG
 V(B) Interval :5.0DEG
 Testsystem: EVERFINEGO-2000A_V1 SYSTEMV2.0.265
 Humidity:65.0%
 TestDistance:12.000m [k=1.0000
 Remarks

Packing



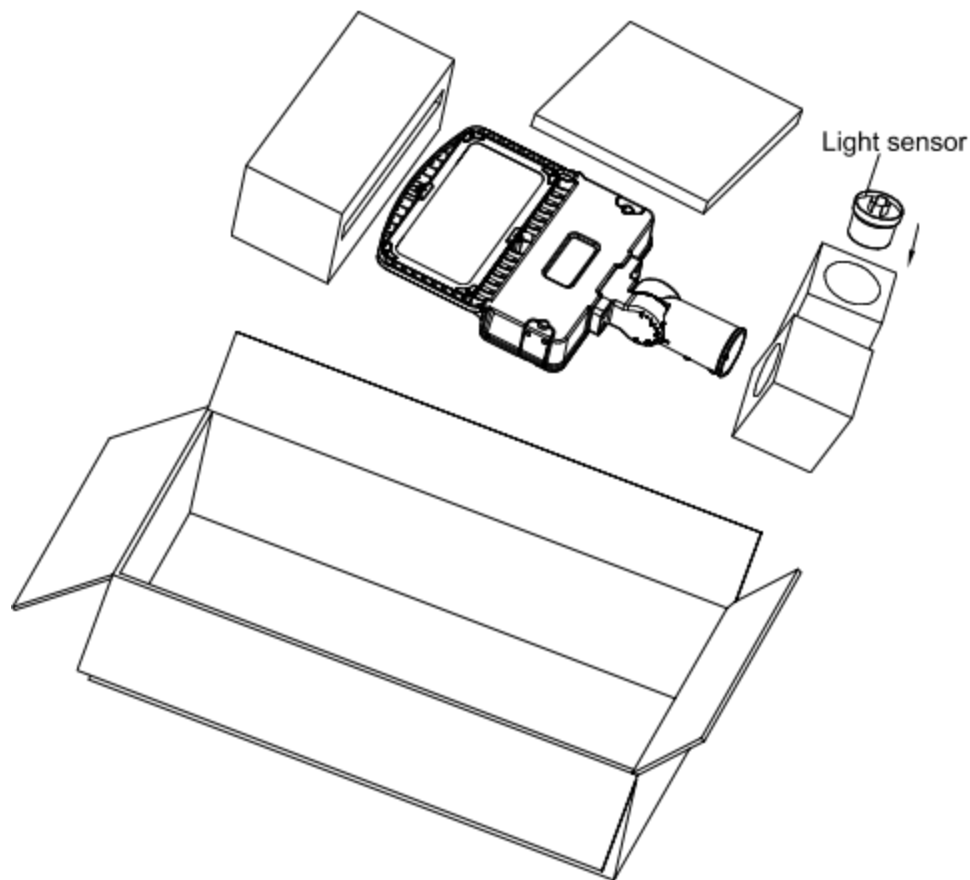
| Model number | Size of outer case | QTY | G.W. |
|--------------|--------------------|------|-------|
| RL-S6-25W | 575*257*145mm | 1pcs | 3.6KG |
| RL-S6-30W | 575*257*145mm | 1pcs | 3.6KG |
| RL-S6-50W | 575*257*145mm | 1pcs | 3.6KG |
| RL-S6-60W | 575*257*145mm | 1pcs | 3.6KG |
| RL-S6-80W | 575*257*145mm | 1pcs | 3.6KG |
| RL-S6-80W | 562*345*145mm | 1pcs | 4.5KG |
| RL-S6-100W | 562*345*145mm | 1pcs | 4.5KG |
| RL-S6-120W | 562*345*145mm | 1pcs | 4.5KG |
| RL-S6-150W | 562*345*145mm | 1pcs | 4.5KG |

Packing



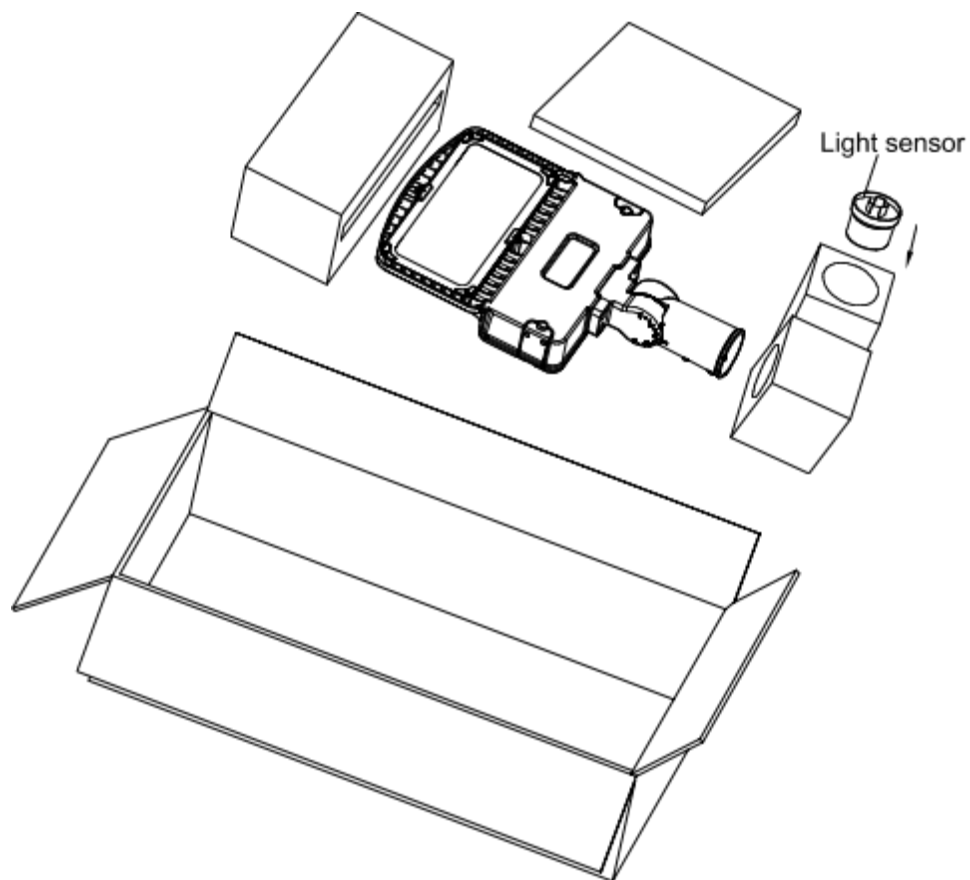
| Model number | Size of outer case | QTY | G.W. |
|--------------|--------------------|------|--------|
| RL-S6-150W | 623*345*145mm | 1pcs | 5.35KG |
| RL-S6-180W | 623*345*145mm | 1pcs | 5.35KG |
| RL-S6-200W | 623*345*145mm | 1pcs | 5.35KG |
| RL-S6-200W | 733*360*145mm | 1pcs | 6.5KG |
| RL-S6-250W | 733*360*145mm | 1pcs | 6.5KG |
| RL-S6-300W | 733*360*145mm | 1pcs | 6.5KG |
| RL-S6-300W | 895*360*145mm | 1pcs | 9.7KG |
| RL-S6-360W | 895*360*145mm | 1pcs | 9.7KG |
| RL-S6-400W | 895*360*145mm | 1pcs | 9.7KG |

Packing (light control)



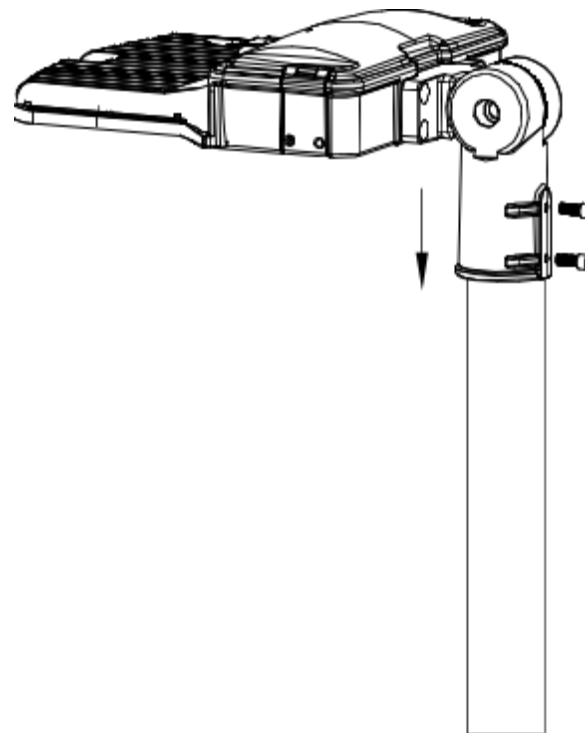
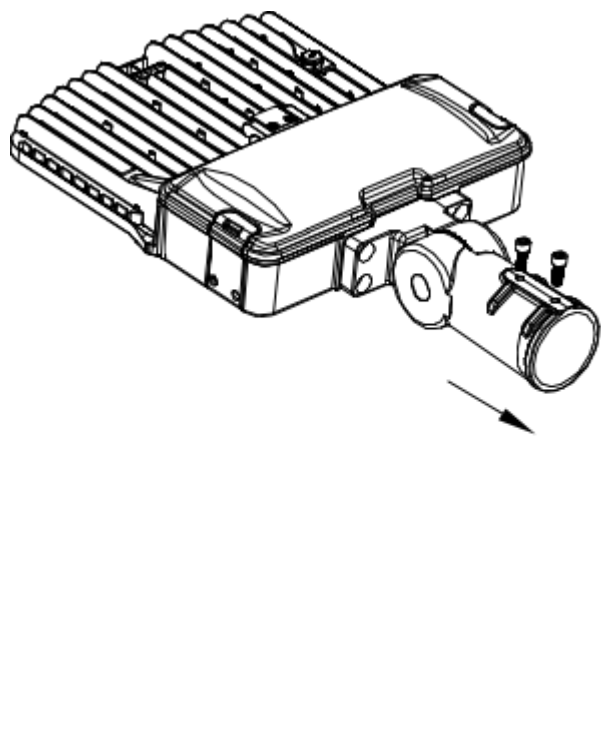
| Model number | Size of outer case | QTY | C.W. |
|--------------|--------------------|------|-------|
| RL-S6-25W | 575*257*165mm | 1pcs | 4.6KG |
| RL-S6-30W | 575*257*165mm | 1pcs | 4.6KG |
| RL-S6-50W | 575*257*165mm | 1pcs | 4.6KG |
| RL-S6-60W | 575*257*165mm | 1pcs | 4.6KG |
| RL-S6-80W | 575*257*165mm | 1pcs | 4.6KG |
| RL-S6-80W | 562*345*165mm | 1pcs | 5.5KG |
| RL-S6-100W | 562*345*165mm | 1pcs | 5.5KG |
| RL-S6-120W | 562*345*165mm | 1pcs | 5.5KG |
| RL-S6-150W | 562*345*165mm | 1pcs | 5.5KG |

Packing(light control)



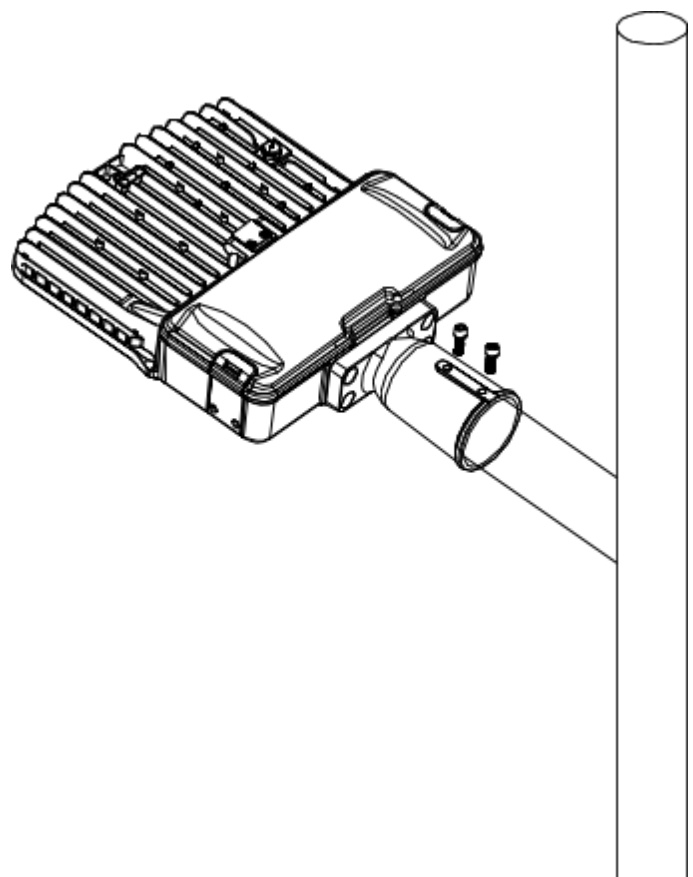
| Model number | Size of outer case | QTY | G.W. |
|--------------|--------------------|------|--------|
| RL-S6-150W | 623*345*165mm | 1pcs | 6.35KG |
| RL-S6-180W | 623*345*165mm | 1pcs | 6.35KG |
| RL-S6-200W | 623*345*165mm | 1pcs | 6.35KG |
| RL-S6-200W | 733*360*165mm | 1pcs | 7.5KG |
| RL-S6-250W | 733*360*165mm | 1pcs | 7.5KG |
| RL-S6-300W | 733*360*165mm | 1pcs | 7.5KG |
| RL-S6-300W | 895*360*165mm | 1pcs | 10.7KG |
| RL-S6-360W | 895*360*165mm | 1pcs | 10.7KG |
| RL-S6-400W | 895*360*165mm | 1pcs | 10.7KG |

Product Installation Drawing

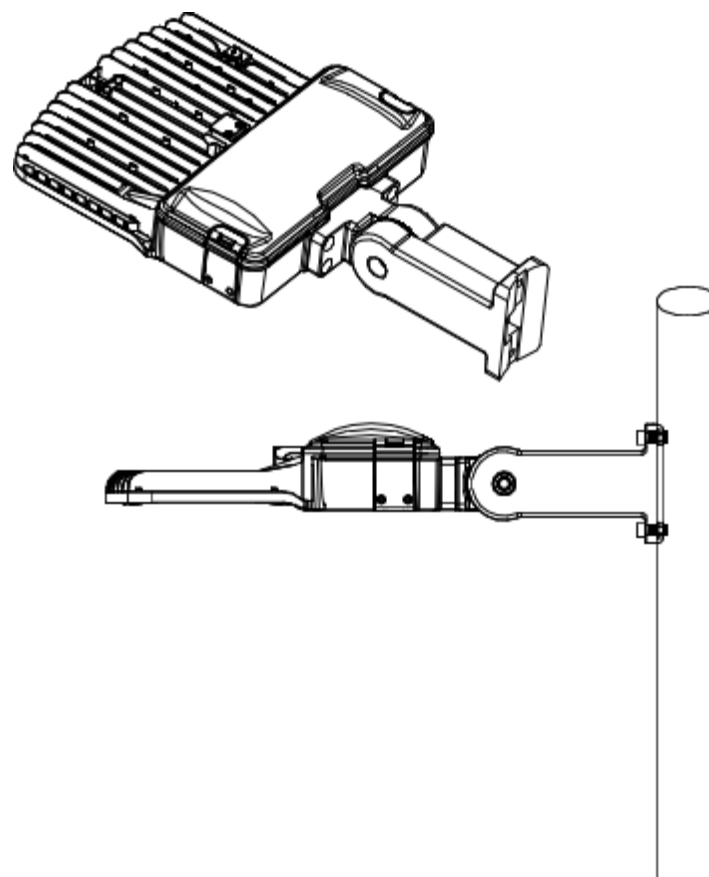


Head-turning installation

Product Installation Drawing

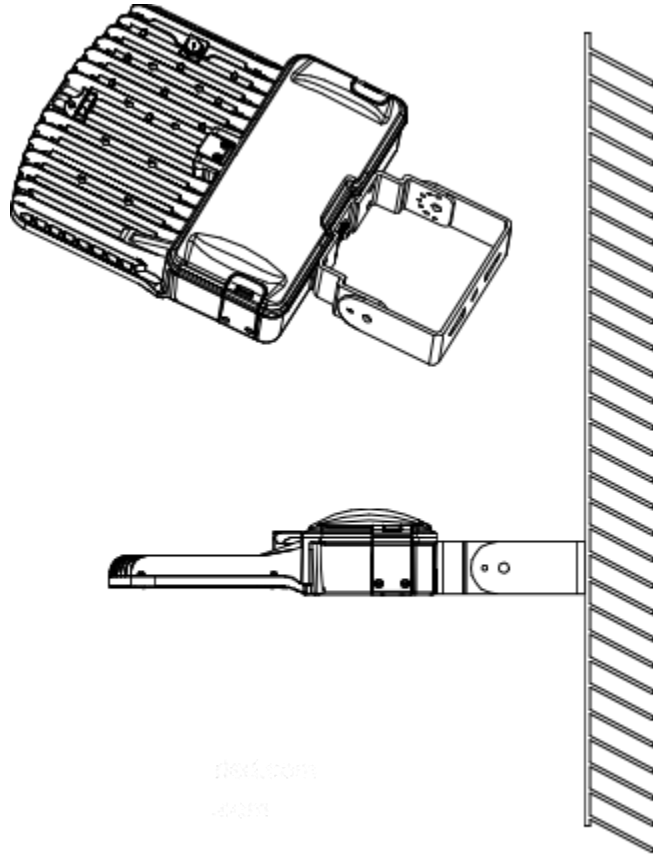


Straight head installation

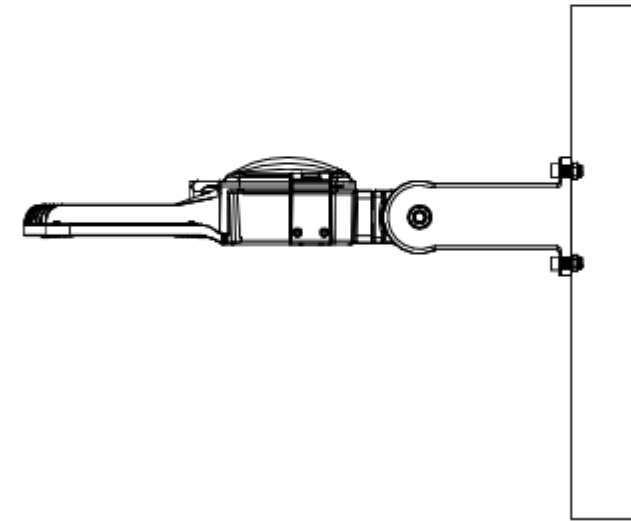


Rod Installation

Product Installation Drawing



Bracket installation



Wall mounting method

Attention

1. please do not disassemble the lamp without permission, or it will be deemed to have waived the warranty service.
2. please read the manual carefully before installation
3. please check everything carefully before use. If any abnormalities occur during use, please contact us immediately.
4. please make sure the power is turned off before installation
5. please return to a professional electrician if any failure

warranty terms

All items are 5-year warranty since the purchase date.

1. under warranty terms, if products are broken down under normal usage within warranty period, GLITTER will provide free maintenance service based on the proof-documents and invoice (copy) of the failed products
2. GLITTER will not provide paid maintenance service under following conditions within warranty.
 - a. Failure or damage caused by force majeure
 - b. Failure or damage caused by transport or unloading
 - c. Failure or damage caused by incorrect usage or failure to comply with the Manual and caution
 - d. Failure or damage caused by demolition, repair or alteration without Manufacturer's authorization
3. Please deliver the failed products by original packing for maintenance service, GLITTER will not be responsible for any failure
4. GLITTER reserves the right for final explanation of the said terms.

cautions: GLITTER will not be responsible for any other failure or damage by incorrect usage.